

Contact Information

Zodiac Pool Systems, Inc.,
2620 Commerce Way, Vista, CA 92081-8438
Phone: 1-800-822-7933
www.zodiacpoolsystems.com

Technical Support and Warranty (see below)

Monday through Friday, 5:00am – 5:00pm (PST)

Email (see below):

[4-digit region number]@zodiac.com

Email for Pool Owners: productsupport@zodiac.com

Online warranty RMA request form for distributors:

<http://www.zodiacpoolsystems.com/support/warranty-rma-request>

Warranty RMA Fax: 760-477-6218

Warranty RMA email: warrantyRMAvista@zodiac.com

General Fax: 800-479-8324

Literature

Fax: 877-327-1403

Email: pop@zodiac.com

Online: visit the Resource Center at:

<https://premium.zodiacpoolsystems.com/Tools/Product-Downloads.aspx>

Customer For Life Advocates

Monday through Friday, 6:00am – 5:00pm (PST)

Email: [4-digit region number]@zodiac.com

Online non-warranty RMA request form for distributors:

<http://www.zodiacpoolsystems.com/support/non-warranty-rma-request>

Non-warranty RMA email: salesRMAvista@zodiac.com

Fax: 877-327-1403 (including non-warranty RMAs)

Email for Orders: distributor.vista@zodiac.com

Zodiac Premium®

Review your Zodiac Premium account and redeem your points online at: www.ZodiacPremium.com

Email: zp@zodiac.com

Caretaker Customer Support

Phone: 855-280-6465 toll-free

email: Caretaker.orders@zodiac.com

Caretaker Design Request

Email: design@zodiac.com

Fax: 801-906-6701

Credit Administration

Fax: 760-597-1240

Zodiac Academy - Technical Training

Email: Zodiac.academy@zodiac.com

Fax: 760-477-6017

Regionalized Support

Whenever you need support on any Zodiac® product, program or service, you will work with your own dedicated team of professionals. They will get to know you, your area and your business. Service has never been so personal, and so simple!

Call 800-822-7933 and enter the 4-digit extension for your region. Then, select from the following three options: Technical Support, order status or general product questions, or Zodiac Premium. Your extension is for pool professionals only. It is critically important that you do NOT supply your extension to pool owners.

If you are in this region	Use this EXT.	Email Address	Customer Support Hours	Technical Support Hours
SOUTHEAST: FL, GA, SC, NC	3500	3500@zodiac.com	6:00–4:30 Pacific	5:00–3:00 Pacific
NORTH: CT, DE, OH, IA, IL, IN, KS, MA, MD, ME, MI, MO, MN, ND, NE, NH, NJ, NY, PA, RI, SD, VA, VT, WI, WV	3600	3600@zodiac.com	7:00–4:00 Pacific	5:00–3:00 Pacific
SOUTH: AL, AR, KY, LA, MS, OK, TN, TX	3700	3700@zodiac.com	7:30–4:30 Pacific	6:00–4:00 Pacific
WEST: AK, AZ, CA, CO, ID, MT, NV, NM, OR, UT, WA, WY, and HI	3800	3800@zodiac.com	8:00–5:00 Pacific	7:00–5:00 Pacific
INTERNATIONAL	4000	4000@zodiac.com	7:00–4:00 Pacific	5:00–2:00 Pacific

At least two representatives in each region will provide support via live chat. To start a chat, simply visit zodiacpoolsystems.com and click on the “Support” tab.

2015 Zodiac Pool Systems, Inc. Product Catalog

All sales made by Zodiac Pool Systems, Inc. ("Zodiac") are subject to our Terms and Conditions of Sale, which are published at the end of this product catalog and on the reverse of Zodiac® invoices, or can be requested by contacting your Customer For Life (CFL) Advocate. The following is only a summary of Zodiac's Terms and Conditions of Sale and should in no way be considered a waiver of any portion of Zodiac's Terms and Conditions of Sale.

Please submit your purchase orders to our Customer Operations department using any of the following delivery methods:

- Electronic data interchange (EDI): Please call Customer Operations at 800-822-7933 for setup information.
- Email: distributor.vista@zodiac.com.
- Fax: 877-327-1403.

Always include complete part numbers, descriptions and prices. Same day shipping not available after 11AM Pacific. Please contact Zodiac prior to PO submission to ensure product availability.

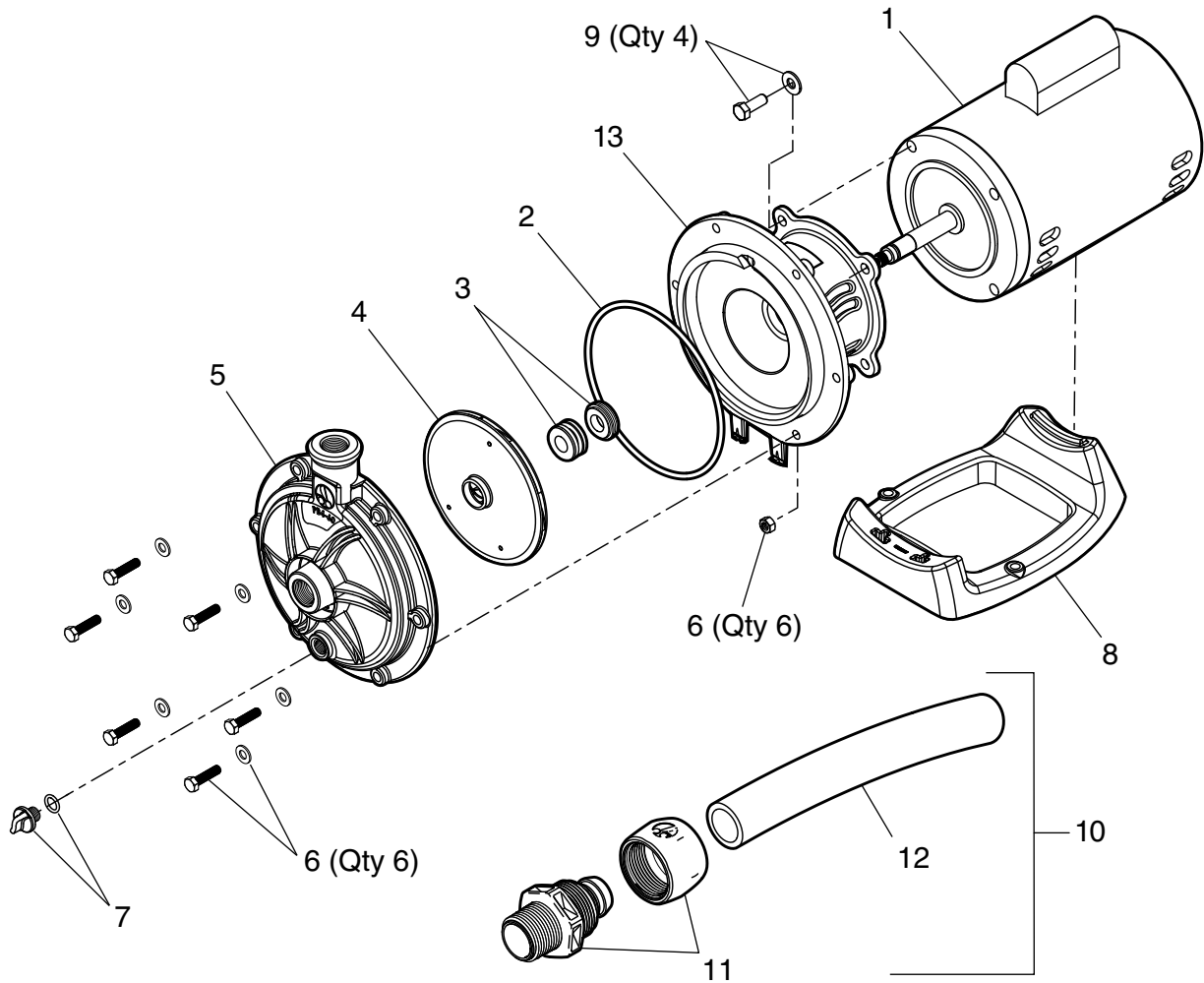
- Urgent orders must be clearly marked as such.
- Change requests must be submitted in writing via email or fax, and must reference the original purchase order number. Changes cannot be accepted once any part of an order has shipped.
- Prices, discounts, quotations and specifications are subject to change without notice and will be applied as in effect at time of shipment. All prices are in U.S. dollars. COD orders will not be accepted.
- Any federal, sales, excise or similar tax for which Zodiac may be liable on any sale will be charged to and paid by the Purchaser. Resellers are responsible for furnishing resale certificates prior to purchase.
- A \$10 surcharge will be added to any order under \$50. Free freight is offered for orders of \$20,000 or more, all products combined. Replacement parts orders of \$5,000 or more, and qualifying Zodiac Premium® Bulk Parts orders, will also ship prepaid. Orders qualifying for free freight will be shipped to a single location only. Liftgate charges will be assessed when a liftgate is required to deliver an order that does not qualify for free freight.
- All sales are F.O.B. Zodiac's shipping point. We will make reasonable attempts to fulfill your routing and carrier requests, but both are subject to our discretion. We will not drop ship to residential addresses.
- Minimum order quantities per product are published in our Price list (for example, cleaners must be ordered in half pallet quantities).
- **Our order entry system will automatically send your order and shipping acknowledgements via email.** To start receiving these acknowledgements, please send an email to distributor.vista@zodiac.com with a subject line of "acknowledgements". Please provide complete account information in the body of your message, including all of the email addresses to which the acknowledgements should be sent.
- **You may check on the status of your orders on our Portal.** To request access to the Portal, please send an email to distributor.vista@zodiac.com with a subject line of "Portal". Please provide complete account information in the body of your message, including the name and email address of one (1) purchasing contact and one (1) accounts payable contact per bill-to location. You will then be contacted with login and usage instructions.
- Upon receipt, all shipments must be inspected for shortages and damages of any kind. If your carrier executed the shipment, you must file shortage and/or damage claims directly with that carrier, and place a new order with Zodiac. If Zodiac selected the carrier, shortages or damages **must be noted on the freight bill** and reported to Customer Operations **within five (5) days of receipt** by faxing 877-327-1403, or by e-mailing distributor.vista@zodiac.com with a subject line of "credit request". If

Polaris® Booster Pump with 60 Hz Motor (Mfg. 2011–Present)

Part# PB4-60 For PB4-60's after serial number PB120111001

Key No.	Part No.	Description	Qty.
1	P61	Motor, 3/4 HP, Threaded Shaft, 60 Hz	1
2	R0536600	O-Ring, Backplate, PB4-60	1
3	R0445500	Seal, Ceramic and Spring	1
4	R0536400	Impeller, PB4-60	1
5	R0536300	Volute, PB4-60 (Includes Drain Plug w/ O-Ring)	1
6	R0536900	Bolts w/ Washers and Nuts	6
7	R0537000	Drain Plug w/ O-Ring, Common	1
8	R0537100	Base, Booster, PB4-60	1

Key No.	Part No.	Description	Qty.
9	R0536800	Bolts and Washers, Stainless, Motor, PB4-60	4
10	R0617100	Quick Connect Install Kit	1
11	R0621000	Quick Connect Fittings	1
12	P19	Pump Hose 6 ft. Reinforced	1
13	R0536700	Backplate, PB4-60	1



Polaris® Booster Pump with 60 Hz Motor

Part# PB4-60 For PB4-60's prior to serial number M120111001

Key No.	Part No.	Description	Qty.
1	P5	Volute (Includes Drain Plug)	1
2	P15*	Impeller	1
3	P55	Seal, Stainless Steel Cup/Spring	1
4	P95*	O-ring, Bracket	1
5	P10	Bracket	1
6	P35	Bolt, Stainless, Bracket to Motor	2
7	P40	O-ring for Shaft	1
8	P61*	Motor, ¾ HP, Threaded Shaft, 60 Hz	1
9	P25	Bolt/Nut, Stainless for Volute to Bracket	6
10	P80	Rubber Strip, Motor/Bracket	1
11	P70	Pump Stand w/ Feet, Strip	1

Key No.	Part No.	Description	Qty.
12	P75	Rubber Feet	4
13	P65	Bolt, SS, Stand to Bracket and Motor	1
14	P20	¼" NPTM Plug, Plastic	2
15	R0617100	Quick Connect Install Kit	1
16	P19	Pump Hose 6 ft. Reinforced	1
17	R0621000	Quick Connect Fittings	1
N/S	R0617025	Polaris Polaris Softube Quick Connects, 25 Packs of 4	100

N/S-Not Shown

