

Fisher-Price®



Please keep this instruction sheet for future reference,
as it contains important information.

Adult assembly is required.

Tool needed for assembly: Phillips Screwdriver (not included).

Requires four "D" (LR20) **alkaline** batteries (not included) for operation.

www.fisher-price.com

Consumer Information



WARNING

To prevent injury from balls and moving parts:

- Keep face, head and hands away from the ball release.
- Use only the balls included.
- Never put other objects in the ball chute.



CAUTION

This product contains small parts in its unassembled state.
Adult assembly is required.



CONSUMER ASSISTANCE

1-800-432-5437 (US & Canada)

1300 135 312 (Australia)



service.fisher-price.com

Fisher-Price, Inc., 636 Girard Avenue, East Aurora, NY 14052.

Hearing-impaired consumers: 1-800-382-7470.

Outside the United States:

Canada: Mattel Canada Inc., 6155 Freemont Blvd.,
Mississauga, Ontario L5R 3W2; www.service.mattel.com.

Great Britain: Mattel UK Ltd, Vanwall Business Park,
Maidenhead SL6 4UB. Helpline: 01628 500303.

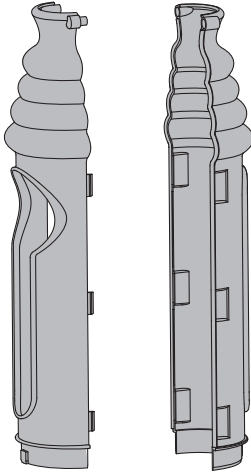
www.service.mattel.com/uk

Mattel Europa, B.V., Gondel 1, 1186 MJ Amstelveen, Nederland.

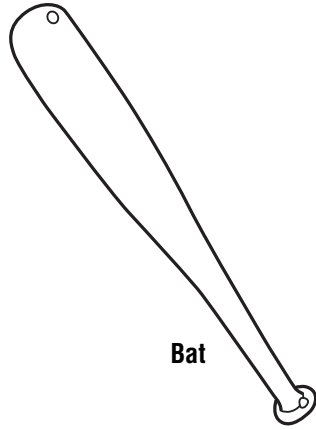
Australia: Mattel Australia Pty. Ltd., 658 Church Street,
Locked Bag #870, Richmond, Victoria 3121 Australia.

New Zealand: 16-18 William Pickering Drive,
Albany 1331, Auckland.

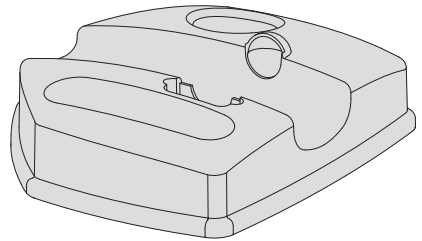
Parts



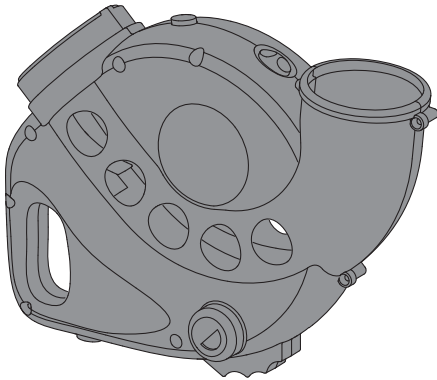
**Ball Chute
(2 Pieces)**



Bat



Base



Motor



Cover



3 Balls



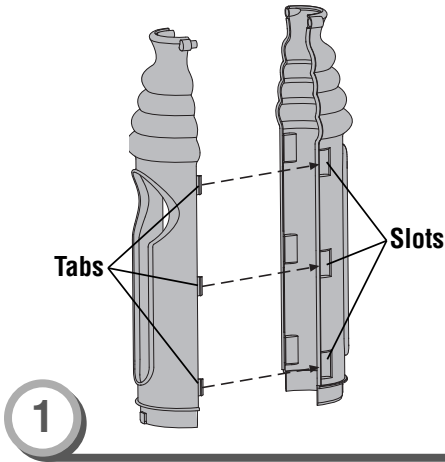
#6 x 1/2" (1,3 cm) Screws - 4

SHOWN ACTUAL SIZE

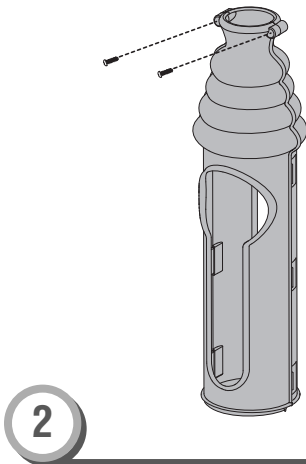
**Note: Tighten and loosen
all screws with a
Phillips Screwdriver.**

Do not over-tighten the screws.

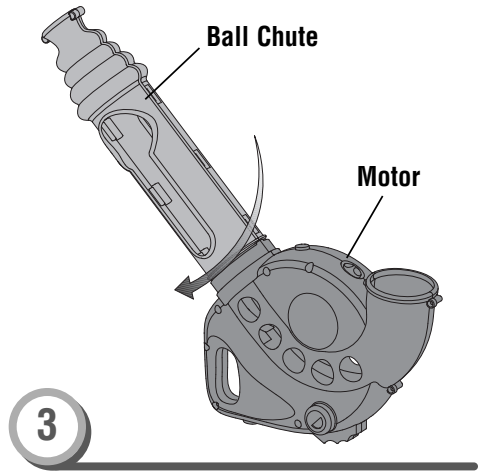
Assembly



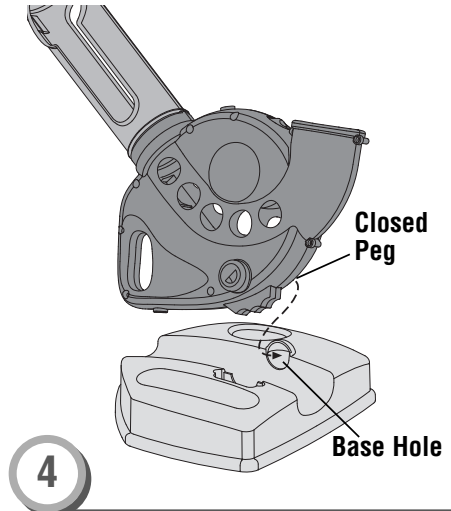
- Insert and snap the tabs into the slots in the ball chute pieces.



- Insert two screws into the pegs at the top of the ball chute and tighten.

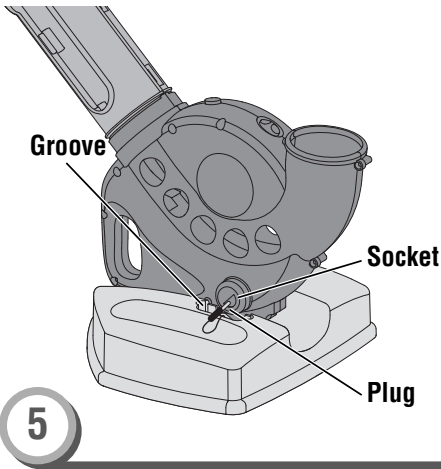


- Align the tabs at the bottom of the ball chute with the grooves in the opening of the motor.
- Turn the ball chute clockwise to lock it into position. Pull up on the ball chute to be sure it is secure.



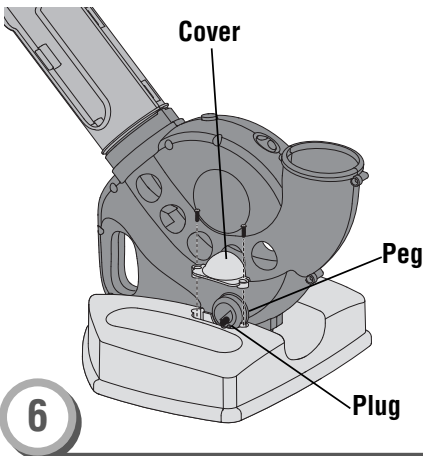
- At an angle, insert the closed peg on the motor into the hole in the base.

Assembly



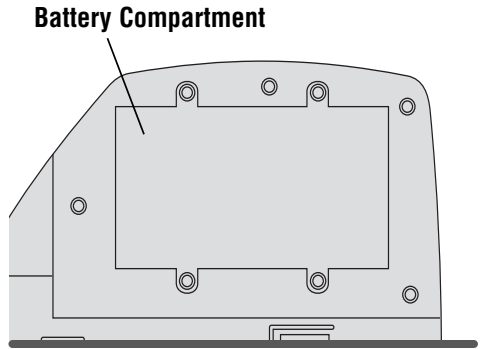
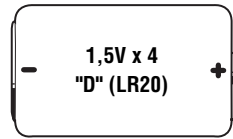
- Lower the motor so that the open peg fits into the groove in the base.
- Insert the battery plug into the socket in the motor, as shown.

Hint: If there isn't a socket inside the peg, you positioned the motor/chute assembly backwards in the base. Remove the motor/chute assembly and turn it around. Repeat assembly step 4.



- Fit the cover over the peg and plug and into the base.
- Insert two screws into the cover and tighten.

Battery Installation



- Loosen the screws in the battery compartment door and remove the battery compartment door.
- Insert four "D" (LR20) **alkaline** batteries into the battery compartment.

Hint: We recommend using **alkaline** batteries for longer battery life.

- Replace the battery compartment door and tighten the screws.
- When ball release distance is greatly reduced or if the time between ball releases is long, it's time for an adult to replace the batteries!
- If this product begins to operate erratically, you may need to reset the electronics. Slide the power switch off and then back on.



Protect the environment by not disposing of this product with household waste (2002/96/EC). Check your local authority for recycling advice and facilities (Europe only).

Battery Safety Information

In exceptional circumstances, batteries may leak fluids that can cause a chemical burn injury or ruin your product. To avoid battery leakage:

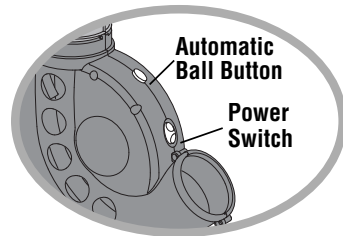
- Do not mix old and new batteries or batteries of different types: alkaline, standard (carbon-zinc) or rechargeable (nickel-cadmium).
- Insert batteries as indicated inside the battery compartment.
- Remove batteries during long periods of non-use. Always remove exhausted batteries from the product. Dispose of batteries safely. Do not dispose of this product in a fire. The batteries inside may explode or leak.
- Never short-circuit the battery terminals.
- Use only batteries of the same or equivalent type, as recommended.
- Do not charge non-rechargeable batteries.
- Remove rechargeable batteries from the product before charging.
- If removable, rechargeable batteries are used, they are only to be charged under adult supervision.

Beginner



Hit from the tee!

- Position the ball chute completely upright.
- Place the ball on top of the ball chute.
- Your little player can hit the ball off the “tee”.



Batting Practice Tips

- We recommend using this toy outdoors, on a non-paved surface, such as grass or sand. Do not use outdoors when it is raining or there is wet grass. The balls will not launch properly.
- When your child is batting, be sure there are no other children in or around the batting area, including directly in front of the unit.



Rookie



Pro





Balls pop up automatically to hit.

- Push the ball chute all the way back.
- Load the balls into the side of the ball chute.
- Locate the power switch on the top of the motor. Slide the power switch on .
- Press the automatic ball button  and get ready.
- Stand about two feet to the side of the base.
- Hit the ball when it pops up!

Hint: After pressing the automatic ball button, the motor shoots three balls and automatically turns off. Load the balls into the side of the ball chute and press the automatic ball button to shoot the balls again!

Hit the pitched ball from up to 10 feet away!

- Position the ball chute completely upright.
- Load the balls into the side of the ball chute.
- Locate the power switch on the top of the motor. Slide the power switch on .
- Press the automatic ball button  and get ready.
- Stand up to 10 feet away from the front of the base.
- Watch the pitch and hit a home run!

- This toy is designed for use with foam balls and plastic bat (both included). It is not designed for use with wooden or metal bats, or regulation baseballs or softballs. Use of these balls and bats may damage this toy.
- Hold the bat with hands together, about one or two inches from the knob at the end of the bat.
 - Right handed batters should have the right hand on top of the left hand.
 - Left handed batters should have the left hand on top of the right hand.

- Stand with feet about shoulder width apart.
- When hitting from the “tee” or pop-up, stand close enough to hit the ball comfortably. Look at the ball and swing with a smooth and level motion.
- When hitting a pitched ball, stand no further than 10 feet from the unit.
- Keep your eyes on the ball as it pops-up or as it is being pitched.
- Swing with a smooth and level motion.

Consumer Information

Storage

- Load the balls into the side of the ball chute.
- Fit the bat in the circular opening in the base.

Care

- Do not leave this product outdoors. Store this product indoors when not in use.
- This product may be wiped clean using a mild cleaning solution and a damp cloth. Do not use bleach. Do not use harsh or abrasive cleaners. Rinse clean with water to remove residue. Do not immerse this product.
- Periodically inspect this product for wear and damage and replace any cracked parts.

ICES-003

- This Class B digital apparatus complies with Canadian ICES-003.
- Operation is subject to the following two conditions: (1) this device may not cause harmful interference and (2) this device must accept any interference received, including interference that may cause undesired operation.

NMB-003

- Cet appareil numérique de la classe B est conforme à la norme NMB-003 du Canada.
- L'utilisation de ce dispositif est autorisée seulement aux conditions suivantes :
(1) il ne doit pas produire de brouillage et
(2) l'utilisateur du dispositif doit être prêt à accepter tout brouillage radioélectrique reçu, même si ce brouillage est susceptible de compromettre le fonctionnement du dispositif.

FCC Statement (United States Only)

This equipment has been tested and found to comply with the limits for a Class B digital device, pursuant to Part 15 of the FCC Rules. These limits are designed to provide reasonable protection against harmful interference in a residential installation. This equipment generates, uses and can radiate radio frequency energy and, if not installed and used in accordance with the instructions, may cause harmful interference to radio communications. However, there is no guarantee that interference will not occur in a particular installation. If this equipment does cause harmful interference to radio or television reception, which can be determined by turning the equipment off and on, the user is encouraged to try to correct the interference by one or more of the following measures:

- Reorient or relocate the receiving antenna.
- Increase the separation between the equipment and receiver.
- Consult the dealer or an experienced radio/TV technician for help.

Note: Changes or modifications not expressly approved by the manufacturer responsible for compliance could void the user's authority to operate the equipment.

This device complies with Part 15 of the FCC Rules. Operation is subject to the following two conditions: (1) this device may not cause harmful interference and (2) this device must accept any interference received, including interference that may cause undesired operation.