



# 6-Ton Electric Log Splitter



Model # 4225  
[bit.ly/WENvideo](http://bit.ly/WENvideo)


## IMPORTANT:

Your new tool has been engineered and manufactured to WEN's highest standards for dependability, ease of operation, and operator safety. When properly cared for, this product will supply you years of rugged, trouble-free performance. Pay close attention to the rules for safe operation, warnings, and cautions. If you use your tool properly and for intended purpose, you will enjoy years of safe, reliable service.



## NEED HELP? CONTACT US!

Have product questions? Need technical support?  
Please feel free to contact us at:

 **800-232-1195** (M-F 8AM-5PM CST)

 [techsupport@wenproducts.com](mailto:techsupport@wenproducts.com)

 [WENPRODUCTS.COM](http://WENPRODUCTS.COM)

## TABLE OF CONTENTS

---

Product Specifications .....	2
Safety Information .....	3
General Safety Rules .....	4
Log Splitter Safety .....	5
Electrical Information .....	6
Know Your Log Splitter .....	9
Package Contents .....	10
Assembly .....	11
Operation .....	12
Maintenance and Troubleshooting .....	15
Exploded View and Parts List .....	18
Warranty .....	21

## Product Specifications

---

Model Number:	56206
Splitting Force:	6 Tons
Cycle Time:	25 Seconds
Motor:	120 V AC, 60 Hz, 15 A, 2 HP, 1500 W
Motor Speed:	3400 RPM
Log Capacity:	10 inch diameter 20.5 inch length
Hydraulic Pressure:	3000psi
Hydraulic Fluid:	AW32 Hydraulic Fluid (for operation at or above 40 degrees Fahrenheit) Dexron Automatic Transmission Fluid (for operation below 40 degrees Fahrenheit)
Hydraulic Tank Capacity:	2.8 Quarts
Cylinder Stroke:	18 Inch
Tire Size:	6 Inch
Dimensions (LxWxH):	38-1/4x11x18 Inches
Weight:	99 Pounds

## SAFETY INFORMATION

---

### SAFETY INFORMATION

Please read and understand this entire manual before attempting to assemble, operate or install the product. These safety instructions are not meant to cover every possible condition that could occur. If you have any questions regarding the product please call customer service at 1-800-232-1195, 8:00 a.m.-5:00 p.m., CST, Monday-Friday.

#### Safety Signals

The purpose of safety signal statements and symbols is to attract your attention to possible danger. Read them carefully to understand and practice proper accident prevention.



**DANGER** Signals an **EXTREME** hazard.

Failure to obey a safety **DANGER** signal **WILL** result in serious injury or death to yourself or to others. Always follow the safety precautions to reduce the risk of fire, electric shock, and personal injury.



**WARNING** Signals a serious hazard.

Failure to obey a safety **WARNING** signal **CAN** result in serious injury to yourself and to others. Always follow the safety precautions to reduce the risk of fire, electric shock, and personal injury.



**CAUTION** Signals a moderate hazard.

Failure to obey a safety **CAUTION** signal **MAY** result in property damage or personal injury to yourself or to others. Always follow the safety precautions to reduce the risk of fire, electric shock, and personal injury.

**NOTE:** Signals additional important general information.

## GENERAL SAFETY RULES

---

Safety is a combination of common sense, staying alert and knowing how your item works. **SAVE THESE SAFETY INSTRUCTIONS.**



**WARNING:** To avoid mistakes and serious injury, do not plug in your tool until the following steps have been read and understood.

1. **READ** and become familiar with this entire instruction manual. **LEARN** the tool's applications, limitations, and possible hazards.
2. **AVOID DANGEROUS CONDITIONS.** Do not use power tools in wet or damp areas or expose them to rain. Keep work areas well lit.
3. **DO NOT** use power tools in the presence of flammable liquids or gases.
4. **ALWAYS** keep your work area clean, uncluttered, and well lit. **DO NOT** work on floor surfaces that are slippery with sawdust or wax.
5. **KEEP BYSTANDERS AT A SAFE DISTANCE** from the work area, especially when the tool is operating. **NEVER** allow children or pets near the tool.
6. **DO NOT FORCE THE TOOL** to do a job for which it was not designed.
7. **DRESS FOR SAFETY.** Do not wear loose clothing, gloves, neckties, or jewelry (rings, watches, etc.) when operating the tool. Inappropriate clothing and items can get caught in moving parts and draw you in. **ALWAYS** wear non-slip footwear and tie back long hair.
8. **WEAR A FACE MASK OR DUST MASK** to fight the dust produced by sawing operations.



**WARNING:** Dust generated from certain materials can be hazardous to your health. Always operate the tool in a well-ventilated area and provide for proper dust removal. Use dust collection systems whenever possible.

9. **ALWAYS** remove the power cord plug from the electrical outlet when making adjustments, changing parts, cleaning, or working on the tool.
10. **KEEP GUARDS IN PLACE AND IN WORKING ORDER.**
11. **AVOID ACCIDENTAL START-UPS.** Make sure the power switch is in the OFF position before plugging in the power cord.
12. **REMOVE ADJUSTMENT TOOLS.** Always make sure all adjustment tools are removed from the saw before turning it on.
13. **NEVER LEAVE A RUNNING TOOL UNATTENDED.** Turn the power switch to OFF. Do not leave the tool until it has come to a complete stop.

## GENERAL SAFETY RULES

---

14. **NEVER STAND ON A TOOL.** Serious injury could result if the tool tips or is accidentally hit. **DO NOT** store anything above or near the tool.
15. **DO NOT OVERREACH.** Keep proper footing and balance at all times. Wear oil-resistant rubber-soled footwear. Keep the floor clear of oil, scrap, and other debris.
16. **MAINTAIN TOOLS PROPERLY. ALWAYS** keep tools clean and in good working order. Follow instructions for lubricating and changing accessories.
17. **CHECK FOR DAMAGED PARTS.** Check for alignment of moving parts, jamming, breakage, improper mounting, or any other conditions that may affect the tool's operation. Any part that is damaged should be properly repaired or replaced before use.
18. **MAKE THE WORKSHOP CHILDPROOF.** Use padlocks and master switches and **ALWAYS** remove starter keys.
19. **DO NOT** operate the tool if you are under the influence of drugs, alcohol, or medication that may affect your ability to properly use the tool.
20. **USE SAFETY GOGGLES AT ALL TIMES** that comply with ANSI Z87.1. Normal safety glasses only have impact resistant lenses and are not designed for safety. Wear a face or dust mask when working in a dusty environment. Use ear protection such as plugs or muffs during extended periods of operation.

## LOG SPLITTER SAFETY

---



**WARNING:** Do not operate this tool until it is completely assembled and installed according to the instructions.

1. **IF YOU ARE NOT** thoroughly familiar with the operation of the log splitter, obtain instruction from a qualified person.
2. **MAKE SURE** wiring codes and recommended electrical connections are followed. When servicing, use only identical replacement parts. Disconnect Log Splitter from its power source before making adjustments or repairs.
3. Place the Log Splitter on a stable, flat, and level work surface where there is plenty of room for handling logs.
4. **INSPECT THE LOG SPLITTER** before each use. Keep guards in place and in working order. Replace damaged, missing, or failed parts before using.
5. Do not alter the Log Splitter. Altering the tool and exceeding its design capabilities or capacities could result in serious injury or fatality and will void the warranty.
6. **MAKE SURE THE EXTENSION CORD** is no longer than 25 ft. if 14 gauge. Ensure that the power cord is rated for outdoor use. Ground the log splitter and avoid contact with grounded surfaces during operation (See "Electrical Information" for details).

## LOG SPLITTER SAFETY

---

7. **MAKE** all adjustments with the switch in the “OFF” position and the Log Splitter disconnected from the power source.
8. Never use the log splitter for any purpose other than splitting wood. Any other use can result in injury. Use extreme caution at all times.
9. **PREPARE LOGS FOR SPLITTING.** Make sure the log ends are cut square and cut off any branches flush with the trunk.
10. **INSPECT EACH LOG BEFORE SPLITTING.** Make sure there are no nails or foreign objects in the log.
11. Only a single operator should load and operate the log splitter. Keep all others, including children and pets, a minimum of 20 feet away from the work area.
12. **NEVER TRY TO SPLIT LOGS** larger than the rated capacity of the tool. Attempting to do so could result in personal injury and damage to the tool.
13. Split only one log at a time. Do not attempt to split two logs on top of each other.
14. **DO NOT** put your hands or feet in between the log and the splitting wedge or between the log and the push rod while the tool is in operation.



**WARNING:** KEEP HANDS AWAY FROM SPLITS AND CRACKS WHICH OPEN IN THE LOG. THEY MAY CLOSE SUDDENLY AND CRUSH OR AMPUTATE YOUR HANDS.

15. Do not attempt to load a log while the push rod is in motion. When loading, place your hands on the sides of the log, not on the ends.
16. **WAIT FOR THE PUSH ROD TO STOP MOVING** before loading another log onto the log splitter. Do not try to remove a split log until the entire splitting cycle is completed.
17. Use only your hands to operate the control lever. Never use your foot, knee, rope, or extension device.
18. Never use your hands to remove a jammed log. If a jam should occur, release the ON/OFF push button. Follow the instructions in this manual for removing a jammed log.
19. Stack logs as you work. This will provide a safer, less cluttered work area.

## ELECTRICAL INFORMATION

---

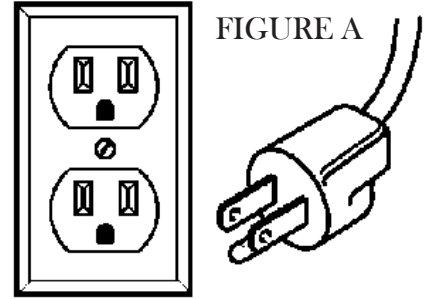


**WARNING:** To avoid electrical hazards, fire hazards, and damage to the tool, use proper circuit protection. The Log Splitter is wired at the factory for 120 V operation. Connect to a 120 V, 15-A circuit and use a 15-A time delayed fuse or circuit breaker. To avoid shock or fire, immediately replace the power cord if it is worn, cut, or damaged in any way.

# ELECTRICAL INFORMATION

## GROUNDING INSTRUCTIONS

IN THE EVENT OF A MALFUNCTION OR BREAKDOWN, grounding provides the path of least resistance for an electric current and reduces the risk of electric shock. This tool is equipped with an electric cord that has an equipment grounding conductor and a grounding plug. The plug **MUST** be plugged into a matching outlet that is properly installed and grounded in accordance with **ALL** local codes and ordinances.



This Log Splitter has a 3-prong plug that is intended for use on a circuit that has a receptacle like the one pictured in Figure A.

**DO NOT MODIFY THE PLUG PROVIDED.** If it will not fit the outlet, have the proper outlet installed by a licensed electrician.

**IMPROPER CONNECTION** of the equipment grounding conductor can result in electric shock. The conductor with the green insulation (with or without yellow stripes) is the equipment grounding conductor. If repair or replacement of the electric cord or plug is necessary, **DO NOT** connect the equipment grounding conductor to a live terminal.



**WARNING:** To avoid injury, use only identical replacement parts when servicing the log splitter.



**WARNING:** Do not touch the metal blades on the power cord plug when removing or installing the plug into an electrical outlet or extension cord.



**WARNING:** To avoid electrocution, do not use in wet or damp areas or expose to rain.



**CAUTION:** In all cases, make certain the receptacle in question is properly grounded. If you are not sure, have a certified electrician check the receptacle.

## GUIDELINES FOR USING EXTENSION CORDS



**WARNING:** Improper use of extension cords may cause inefficient operation, which can result in overheating. Use an extension cord rated for outdoor operation.

Make sure your extension cord is in good condition. When using an extension cord, be sure to use one heavy enough to carry the current your product will draw. An undersized cord will cause a drop in line voltage resulting in loss of power and overheating. The table on the next page shows the correct size to be used according to cord length and nameplate ampere rating. When in doubt, use a heavier cord. The smaller the gauge number, the heavier the cord.

Ampere Rating		Total Length of Cord in feet			
More Than	Not More Than	25	50	100	150
0	6	18	16	16	14
6	10	18	16	14	12
10	12	16	16	14	12
12	16	14	12	Not Recommended	

Protect your extension cords from sharp objects, excessive heat and damp/wet areas.

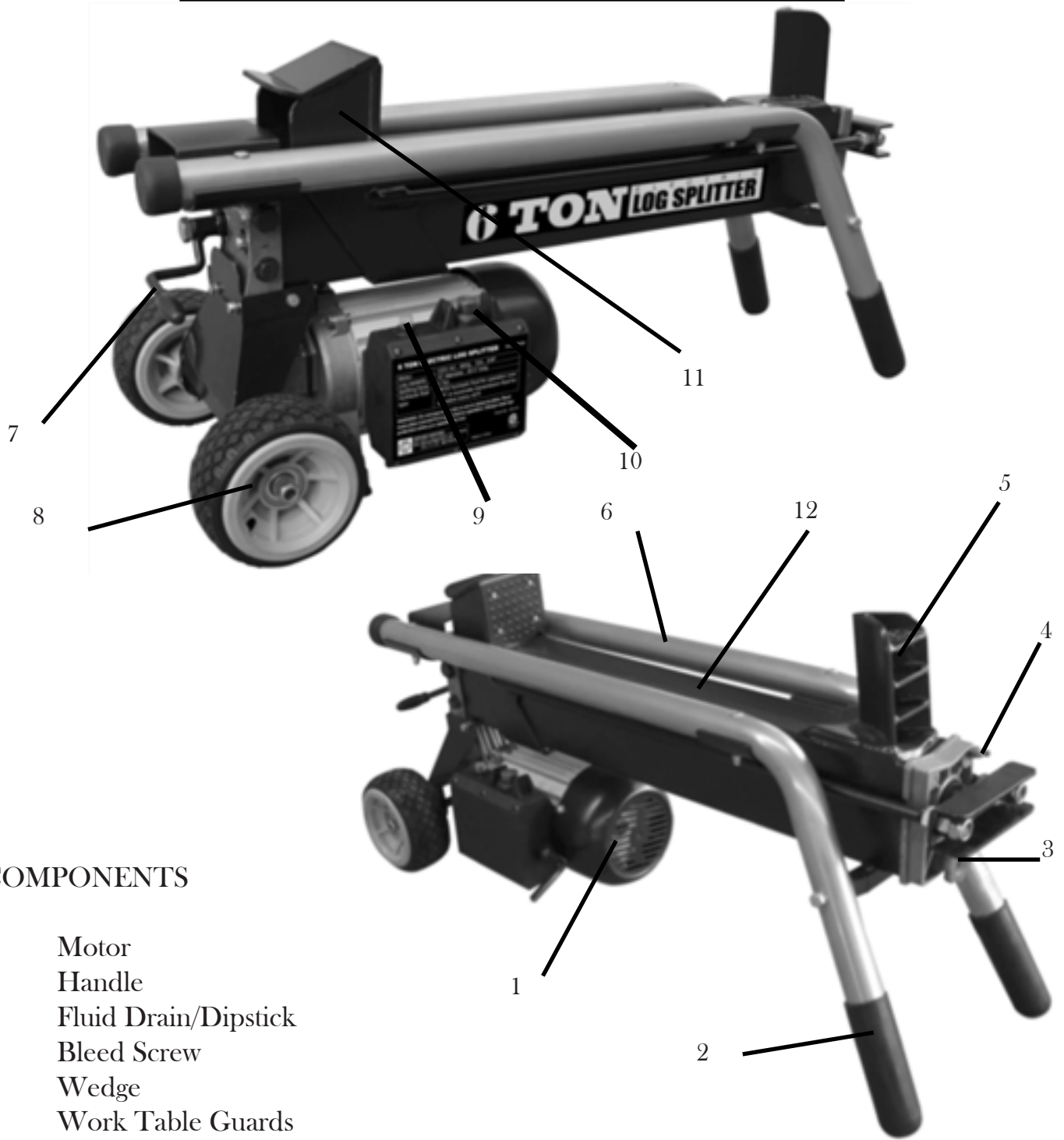
Use a separate electrical circuit for your tools. This circuit must not be less than a #12 wire and should be protected with a 15 A time-delayed fuse. Before connecting the motor to the power line, make sure the switch is in the OFF position and the electric current is rated the same as the current stamped on the motor nameplate. Running at a lower voltage will damage the motor.



**WARNING:** The extension cord and receptacle must be grounded when in use to protect the operator from electric shock.



# KNOW YOUR LOG SPLITTER



## COMPONENTS

- 1 Motor
- 2 Handle
- 3 Fluid Drain/Dipstick
- 4 Bleed Screw
- 5 Wedge
- 6 Work Table Guards
- 7 Hydraulic Control Lever
- 8 Wheel
- 9 Circuit Breaker
- 10 ON/OFF Power Switch
- 11 Ram
- 12 Beam

# ASSEMBLY

---

## UNPACKING

This Log Splitter requires the wheel assembly to be attached to the base. See wheel assembly directions below.

**NOTE:** Do not discard box or any packing material until all parts are examined and accounted for.

This Log Splitter has been filled with AW32 oil during the manufacturing process. Refer to the photo below and the parts list should it be necessary to disassemble the unit for repair or replacement of parts. Inspect the unit for shipping damage.

**IF ANY PART OF THE LOG SPLITTER IS MISSING OR DAMAGED, DO NOT PLUG IN UNTIL THE DAMAGED PART IS REPAIRED OR REPLACED. PLEASE CALL 1-800-232-1195 FOR ASSISTANCE.**



### Item List:

1 Log Splitter

2 Wheels

1 Wheel Shaft

1 Cotter Pin

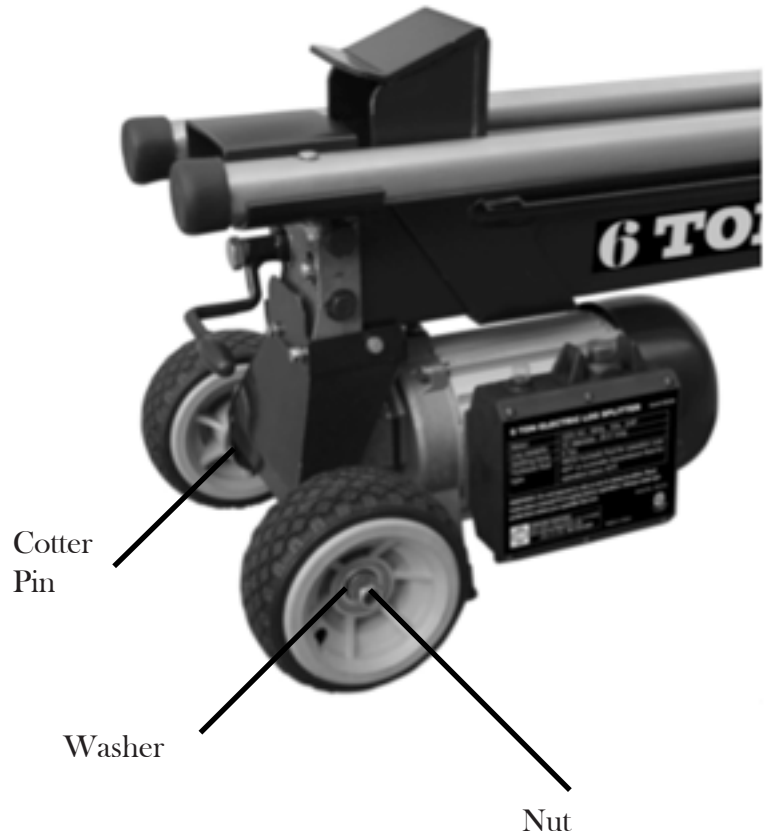
2 Washers and 2 Nuts

# ASSEMBLY

---

## WHEEL ASSEMBLY

1. Insert the wheel shaft into the motor end of the log splitter and secure with the cotter pin.
2. Secure the wheels to the wheel shaft using the nut and washer on the outside end of both wheels.



## OPERATION

---



**WARNING:** Read and thoroughly understand all instructions and safety information before operating this log splitter. Failure to do so may cause serious injury or death. Do not allow anyone to operate this log splitter who has not read this manual. As with all power equipment, a log splitter can be dangerous if assembled or used improperly. Do not operate this log splitter if you have doubts or questions concerning safe operation. Call our customer service department at 1-800-232-1195 to address these concerns.



**WARNING:** Always wear safety glasses, safety gloves, safety shoes and suitable work clothing when operating this log splitter. Do not wear jewelry, neckties or other loose clothing which could get caught in moving parts.



**WARNING:** Keep hands and feet clear of the ram and wedge at all times.



**WARNING:** Do not start or operate this machine in the presence of flammable liquids or gases.

Before operating, select a suitable work area and check the level of hydraulic fluid.

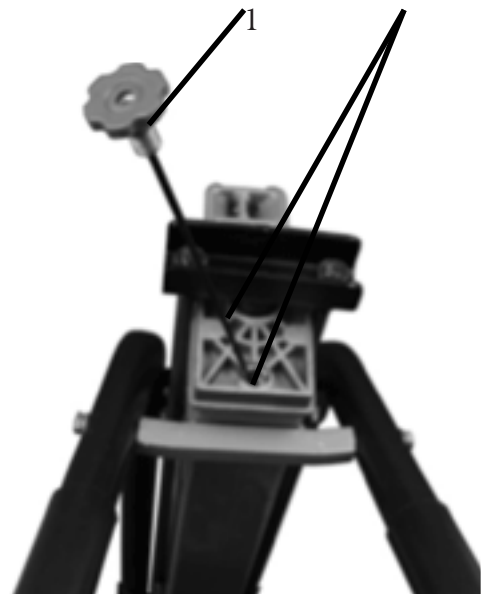
A safe work area will contain a flat surface on which to place the log splitter, as well as ample room to stack both split and unsplit logs. Make sure there is a safe electrical connection no more than 25 feet from the workspace.



**WARNING:** Lifting the log splitter is a two person operation. Once raised, make sure the log splitter is stable before performing any maintenance.

To check the level of hydraulic fluid:

1. Lift up on the handle of the Log Splitter. Make certain the Log Splitter is stable and will not fall.
2. Loosen the fluid drain knob (1).
3. Pull out the bolt with attached dipstick and wipe the dipstick.
4. Put the dipstick back in the tank and pull it out again.
5. Check the fluid level on the dipstick. It should be between the two notches on the end of the dipstick (2).
6. Add fluid if needed. Replace dipstick and tighten the fluid drain knob.



Remember to use AW32 fluid for operation at temperatures above 40 degrees Fahrenheit, and Dexron® automatic transmission fluid for operation below 40 degrees Fahrenheit. The Log Splitter is pre-loaded with AW32 fluid during the manufacturing process.

## OPERATION

---



**WARNING:** Always loosen the bleed screw prior to operation. This will remove any air trapped in the hydraulic system.

Failure to release air from the hydraulic system may damage the hydraulic seals, permanently damaging the Log Splitter.

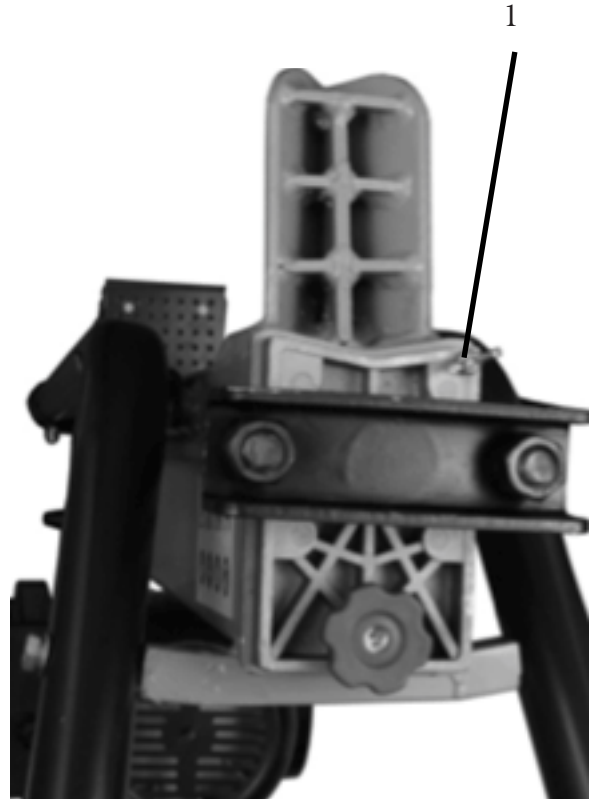
To loosen the bleed screw:

1. Turn the bleed screw (1) counterclockwise one or two turns to allow air to be released from the hydraulic system.

**NOTE:** While the Log Splitter is in use, there should be a detectable flow of air through the bleed screw.

2. Close the bleed screw after operation.

**NOTE:** Check the bleed screw and make sure it is closed before and during transporting the log splitter to and from the jobsite and storage area. Hydraulic fluid may leak through the bleed screw opening if the bleed screw is not fully tightened.



**WARNING:** Never try to split logs larger than the rated capacity of the tool. Attempting to do so could result in personal injury and damage to the tool.

To place and split a log on the Log Splitter:

1. Make sure the log is prepared and suitable for use with this machine. There should be no nails or foreign objects in the log, the ends should be cut square, any branches should be cut flush with the trunk, and the log should be no longer than 21 inches with a diameter less than or equal to 10 inches.

2. Ensure the equipment is in safe working condition. Operate the unit without loading to make sure it is working normally. Check all nuts, bolts and hydraulic fittings are tight. Check the switch, power cable and plug for damage to avoid electric shock.

3. Plug in the power cable. **NEVER** use an extension cord longer than 25 feet. Minimum cord gauge must be 16. The power supply for this log splitter must have a protection device (circuit breaker) for over or under voltage.

4. Place a log on the beam against the ram. Make sure that the log is securely on the beam and up against the ram. Logs should be cut with square ends and to a maximum length of 20.5 inch in advance. Always use extra care when splitting logs with unsquare ends.

## OPERATION

---

5. Loosen the bleed screw one or two turns.
6. Two controls must be activated to operate the log splitter. The hydraulic control lever (1) and the ON/OFF push button (2) must be held during the splitting process. If either control is released, the log splitter will stop operating.
7. Depress and hold the ON/OFF push button (2) with your right hand. Allow enough time for the motor to cycle up to speed.
8. Push down on the hydraulic control lever (1).
9. Release the ON/OFF button and the control lever when the log is split. The push rod will then retract.



**WARNING:** If the log does not begin to split after 5 seconds of operation, release both controls. The motor or hydraulic fluid may overheat and damage the machine.



**WARNING:** Do not attempt to remove a jammed log with your hands or try to knock it off the worktable. Doing so may cause injury and may also damage the splitting wedge. Knock off the log with a hammer.



**WARNING:** When finished splitting the logs, unplug the power cord and lock the bleed screw.

## MAINTENANCE

---



**WARNING:** Disconnect the Log Splitter from the power source before performing any maintenance.

Check the hydraulic fluid level at the beginning of each season and if the fluid level is low.

To check the hydraulic fluid level:

1. Lift up on the handle of the Log Splitter. Make certain the Log Splitter is stable and will not fall.
2. Loosen the fluid drain knob (1).
3. Pull out the bolt with attached dipstick and wipe the dipstick.
4. Put the dipstick back in the tank and pull it out again.
5. Check the fluid level on the dipstick. It should be between the two notches on the end of the dipstick (2).

## MAINTENANCE

---

6. Add fluid if needed. Replace dipstick and tighten the fluid drain knob.

Remember to use AW32 fluid for operation at temperatures above 40 degrees Fahrenheit, and Dexron® automatic transmission fluid for operation below 40 degrees Fahrenheit. The Log Splitter is pre-loaded with AW32 fluid during the manufacturing process. Do not mix AW32 and Dexron® fluid.



**WARNING:** Lifting the Log Splitter is a two person operation. Once raised, make sure the Log Splitter is stable before performing any maintenance.

To replace the hydraulic fluid:

1. Place a one gallon (or larger) pan (3) under the splitting wedge end of the log splitter.

2. Loosen the fluid drain knob (1) and remove it.

3. Raise motor end of the log splitter to allow the fluid to drain into the pan. Lower motor end of the splitter when it is empty. Dispose of the collected fluid properly.

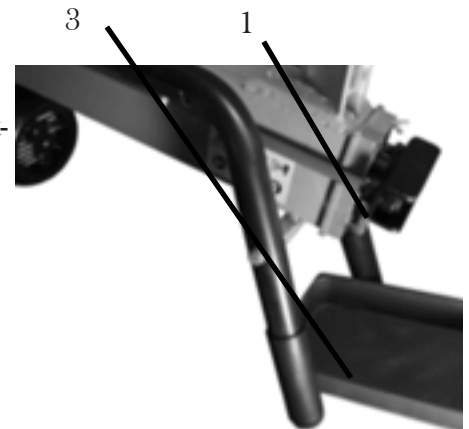
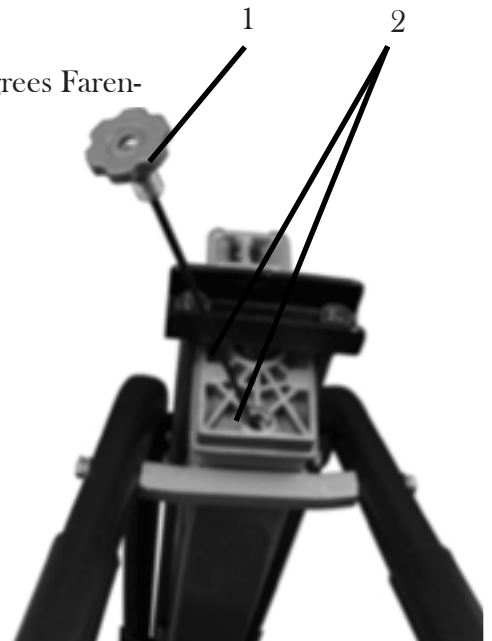
4. Raise the splitting edge end and make sure it is secure.

5. Pour approximately 0.85 Gallon of approved hydraulic fluid (AW32 hydraulic fluid for operation over 40°F or Dexron automatic transmission fluid for operation below 40°F) into the tank.

6. Check the fluid level with the dipstick. Add more fluid if needed.

7. Replace the fluid drain knob (1) and tighten securely. Lower the Log Splitter.

Sometimes after prolonged use, the splitting wedge may need to be sharpened to ensure optimal operation. Use a fine-toothed file or rasp to remove burrs or refresh crushed areas.



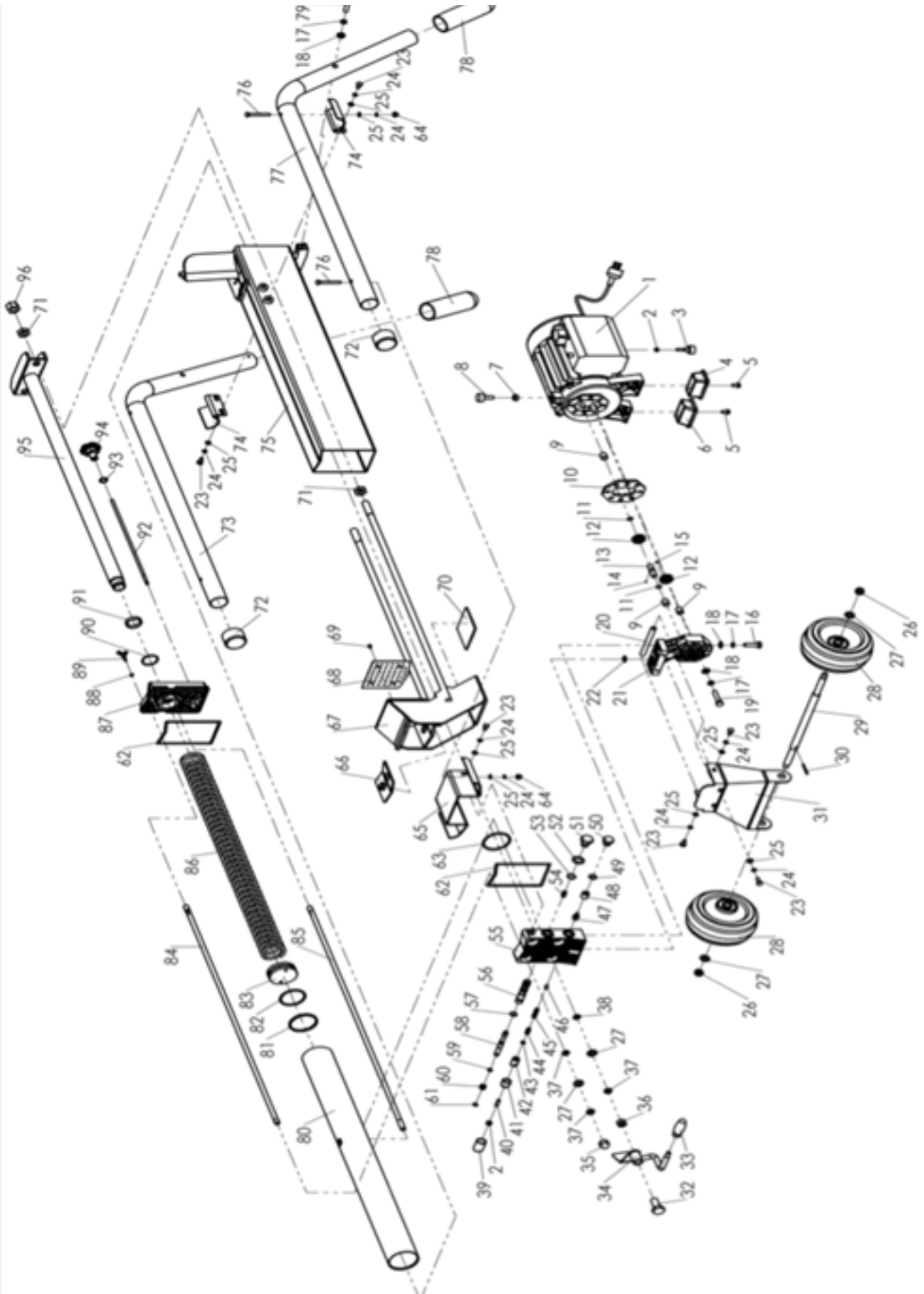
## TROUBLESHOOTING

---

Problem	Cause	Action
Logs will not split	Extension cord is too long or gauge is too low	Check extension cord to ensure the gauge of the cord is 12 or 14 AWG and that the cord length does not exceed 25 ft.
	Incorrect positioning of the log.	Make sure the log is properly positioned on the worktable (See page 13, "Place a log on the log splitter ")
	The size or hardness, or density of the log may exceed the capacity of the splitter.	Reduce the log size before placing it on the splitter.
	Splitting wedge cutting edge is blunt or dull	Sharpen the wedge (See page 16, "Sharpen the splitting wedge")
	The bleed screw was not loosened and air is trapped in the hydraulic tank	Loosen the bleed screw one or two turns
	The hydraulic fluid is low and may need to be replenished	Check the hydraulic fluid level and refill if needed
	The maximum pressure limiting adjustment setting has changed	Contact a trained service Technician at 1-800-232-1195
Hydraulic fluid leaks	The bleed screw may not have been tightened before transporting the splitter	Tighten the bleed screw
	The bleed screw may not have been loosened before operation and air is trapped in the hydraulic system	Loosen the bleed screw one or two turns.
	The fluid drain knob may be loose.	Tighten the knob
	The hydraulic control valve assembly and/or seals may be worn.	Contact a trained service Technician at 1-800-232-1195
Push rod	The hydraulic fluid level may be	Check the fluid level and refill, if needed.



# EXPLODED VIEW AND PARTS LIST



## EXPLODED VIEW AND PARTS LIST

---

Item	Stock #	Description	Item	Stock #	Description
1	56206-001	Motor	31	56206-031	Bracket
2	56206-002	Nut M6	32	56206-032	Bolt
3	56206-003	Rubber foot	33	56206-033	Rubber sleeve
4	56206-004	Right rubber foot	34	56206-034	Hydraulic control lever
5	56206-005	bolt M6×12	35	56206-035	Nut M10
6	56206-006	Left rubber foot	36	56206-036	Nut M10
7	56206-007	Nut M8	37	56206-037	Spring washer 10
8	56206-008	Washer	38	56206-038	Oil seal 9.5×2.65G
9	56206-009	Bearing bush	39	56206-039	Plastic cover
10	56206-010	Claboard	40	56206-040	BoltM6×20
11	56206-011	Steel ring10	41	56206-041	Hexagon nut
12	56206-012	Gear	42	56206-042	Bush for shaft
13	56206-013	Gear shaft	43	56206-043	Oil seal 4.87×1.8G
14	56206-014	Steel ball 2.5	44	56206-044	Shaft
15	56206-015	Round pin 2.5×4	45	56206-045	Adjustment spring
16	56206-016	Bolt M8×30	46	56206-046	Cone valve
17	56206-017	Spring washer 8	47	56206-047	Oil valve
18	56206-018	Flat washer 8	48	56206-048	Screw
19	56206-019	Bolt M8×55	49	56206-049	Oil seal 11.8×2.2G
20	56206-020	Shaft	50	56206-050	Hexagon bolt
21	56206-021	Cover	51	56206-051	Bolt
22	56206-022	Oil seal 10×2.65G	52	56206-052	Washer16×t1
23	56206-023	Bolt M6×12	53	56206-053	Oil seal 14×1.8G
24	56206-024	Spring washer 6	54	56206-054	spring
25	56206-025	Flat washer 6	55	56206-055	Front cover
26	56206-026	Locking nut M10	56	56206-056	Control valve
27	56206-027	Flat washer 10	57	56206-057	Oil seal 11.2×1.8G
28	56206-028	Wheel	58	56206-058	Journey valve
29	56206-029	Wheel shaft	59	56206-059	Oil seal 5.6×1.8G
30	56206-030	Pin3.2×20	60	56206-060	Spring

## EXPLODED VIEW AND PARTS LIST

---

Item	Stock #	Description	Item	Stock #	Description
61	56206-061	Washer 6	79	56206-079	Bolt M8×50
62	56206-062	Washer	80	56206-080	Cylinder
63	56206-063	Oil seal 48.7×3.55G	81	56206-081	Ring58×52.5×4
64	56206-064	Nut M6	82	56206-082	Oil seal43.7×3.55G
65	56206-065	Front bracket	83	56206-083	Piston
66	56206-066	Upper pad	84	56206-084	stud
67	56206-067	Push rod	85	56206-085	stud
68	56206-068	Tine plate	86	56206-086	Spring
69	56206-069	Bolt M4×6	87	56206-087	Rear cover
70	56206-070	Down pad	88	56206-088	Oil seal 3.6×1.8G
71	56206-071	Nut M14	89	56206-089	Bleed screw
72	56206-072	Rubber plug	90	56206-090	Oil seal30×2.65G
73	56206-073	Work table guard	91	56206-091	Washer FC30×38×5
74	56206-074	Back bracket	92	56206-092	Dipstick
75	56206-075	Beam	93	56206-093	Oil seal 11.8×2.65G
76	56206-076	Step bolt M6×50	94	56206-094	Knob
77	56206-077	Work table guard	95	56206-095	Piston rod
78	56206-078	Rubber handle	96	56206-096	lock nut M14

## **LIMITED TWO YEAR WARRANTY**

---

WEN Products is committed to building tools that are dependable for years. Our warranties are consistent with this commitment and our dedication to quality.

### **LIMITED WARRANTY OF WEN CONSUMER POWER TOOLS PRODUCTS FOR HOME USE**

GREAT LAKES TECHNOLOGIES, LLC (“Seller”) warrants to the original purchaser only, that all WEN consumer power tools will be free from defects in material or workmanship for a period of two (2) years from date of purchase. Ninety days for all WEN products, if the tool is used for professional use.

**SELLER’S SOLE OBLIGATION AND YOUR EXCLUSIVE REMEDY** under this Limited Warranty and, to the extent permitted by law, any warranty or condition implied by law, shall be the repair or replacement of parts, without charge, which are defective in material or workmanship and which have not been misused, carelessly handled, or misrepaired by persons other than Seller or Authorized Service Center. To make a claim under this Limited Warranty, you must make sure to keep a copy of your proof of purchase that clearly defines the Date of Purchase (month and year) and the Place of Purchase. Place of purchase must be a direct vendor of Great Lakes Technologies, LLC. Third party vendors such as garage sales, pawn shops, resale shops, or any other secondhand merchant void the warranty included with this product. Contact [techsupport@wenproducts.com](mailto:techsupport@wenproducts.com) or 1-800-232-1195 to make arrangements for repairs and transportation.

When returning a product for warranty service, the shipping charges must be prepaid by the purchaser. The product must be shipped in its original container (or an equivalent), properly packed to withstand the hazards of shipment. The product must be fully insured with a copy of the warranty card and/or the proof of purchase enclosed. There must also be a description of the problem in order to help our repairs department diagnose and fix the issue. Repairs will be made and the product will be returned and shipped back to the purchaser at no charge.

**THIS LIMITED WARRANTY DOES NOT APPLY TO ACCESSORY ITEMS THAT WEAR OUT FROM REGULAR USAGE OVER TIME INCLUDING BELTS, BRUSHES, BLADES, ETC.**

**ANY IMPLIED WARRANTIES SHALL BE LIMITED IN DURATION TO TWO (2) YEARS FROM DATE OF PURCHASE. SOME STATES IN THE U.S., SOME CANADIAN PROVINCES DO NOT ALLOW LIMITATIONS ON HOW LONG AN IMPLIED WARRANTY LASTS, SO THE ABOVE LIMITATION MAY NOT APPLY TO YOU.**

**IN NO EVENT SHALL SELLER BE LIABLE FOR ANY INCIDENTAL OR CONSEQUENTIAL DAMAGES (INCLUDING BUT NOT LIMITED TO LIABILITY FOR LOSS OF PROFITS) ARISING FROM THE SALE OR USE OF THIS PRODUCT. SOME STATES IN THE U.S. AND SOME CANADIAN PROVINCES DO NOT ALLOW THE EXCLUSION OR LIMITATION OF INCIDENTAL OR CONSEQUENTIAL DAMAGES, SO THE ABOVE LIMITATION OR EXCLUSION MAY NOT APPLY TO YOU.**

**THIS LIMITED WARRANTY GIVES YOU SPECIFIC LEGAL RIGHTS, AND YOU MAY ALSO HAVE OTHER RIGHTS WHICH VARY FROM STATE TO STATE IN THE U.S., PROVINCE TO PROVINCE IN CANADA AND FROM COUNTRY TO COUNTRY.**

**THIS LIMITED WARRANTY APPLIES ONLY TO PORTABLE ELECTRIC TOOLS, BENCH POWER TOOLS, OUTDOOR POWER EQUIPMENT AND PNEUMATIC TOOLS SOLD WITHIN THE UNITED STATES OF AMERICA, CANADA AND THE COMMONWEALTH OF PUERTO RICO. FOR WARRANTY COVERAGE WITHIN OTHER COUNTRIES, CONTACT THE WEN CUSTOMER SUPPORT LINE.**