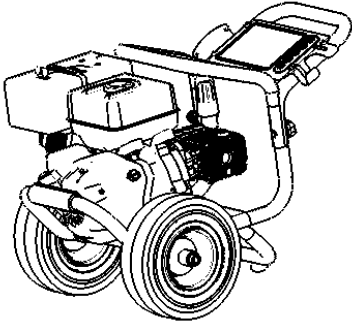


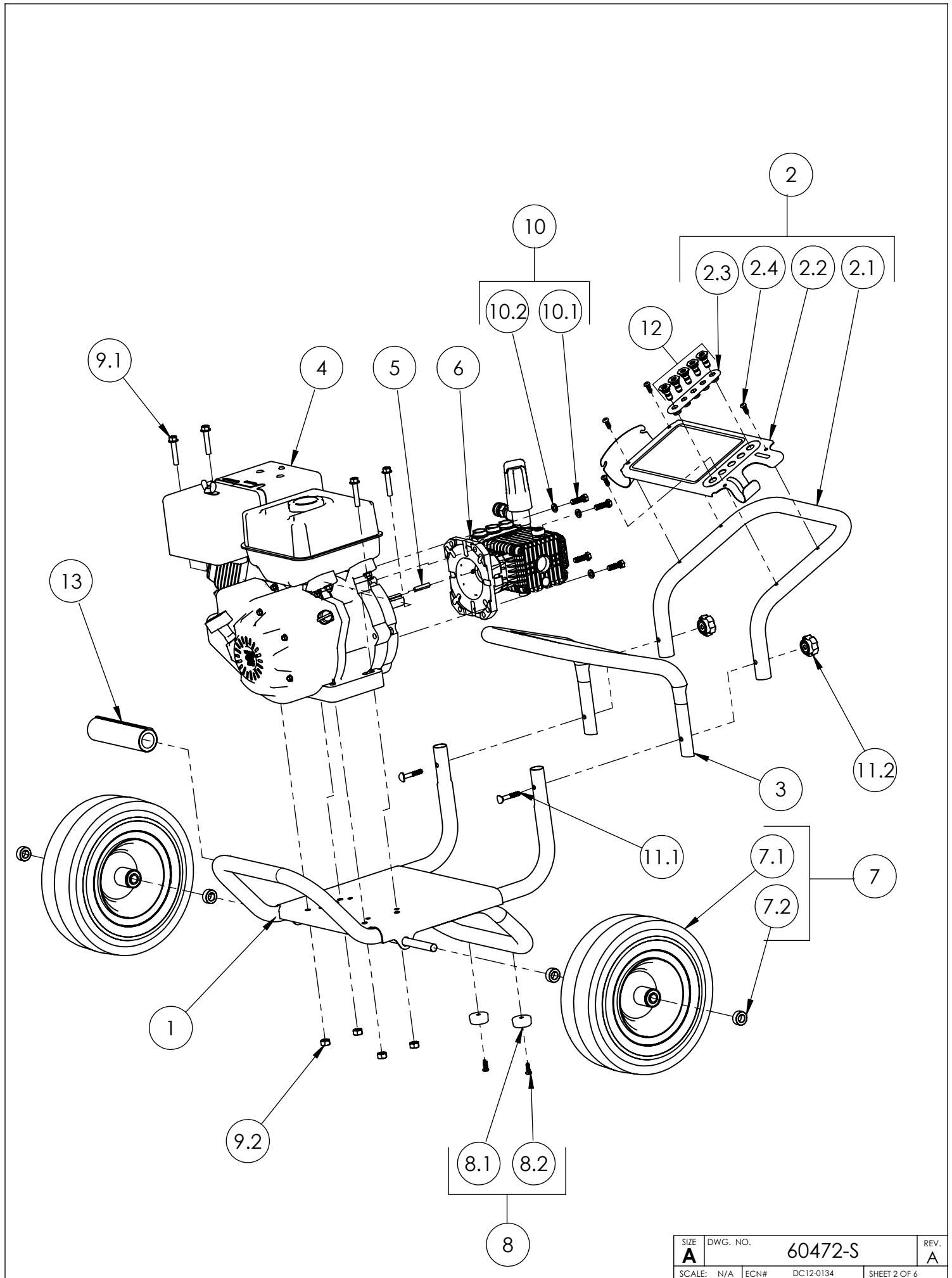
ITEM	PART NO.	DESCRIPTION	QTY.
1	7104998	FRAME, BASE ASSEMBLY WITH LABELS	1
2	7106229	HANDLE, REAR ASSEMBLY WITH LABELS	1
†	2.1	HANDLE REAR, FLAT BLACK	1
†	2.2	PLATE, DASHBOARD, SILVER	1
†	2.3	HOLDER, RUBBER, 5 NOZZLE	1
†	2.4	SCREW, 1/4-20 TORX PANHEAD	4
	3	7106230 HANDLE, QUICK START WITH LABELS	1
	4	7103610 ENGINE KIT, HONDA GX390 W/SHAFT KEY AND LABELS	1
	5	7105453 SHAFT KEY, 1/4" X 1/4" X 1-1/2"	1
	6	7105462 PUMP ASSEMBLY	1
¶	6.1	7104820 PUMP, 3900PSI@4.0GPM	1
	6.2	7100051 ADAPTER, INLET GHT(F) X 1/2 NPT(F)	1
	6.3	7100019 COUPLER, OUTLET 3/8" QC(F) X 3/8" NPT(F)	1
	6.4	7101331 THERMAL RELIEF VALVE	1
	6.5	7102470 PLUG, 3/8" NPT(M)	1
	6.6	SHAFT KEY, 1/4" X 1/4" X 1-1/2"	1
	6.7	HOSE AND FILTER KIT	1
†	6.8	BOLT, 5/16-24	4
†	6.9	WASHER	4
	7	7105376 WHEEL KIT	2
†	7.1	WHEEL, 13.0IN STEEL, BLACK	1
†	7.2	WASHER, 5/8 FLAT ZINC PLATED	2
†	7.3	CLIP, E-TYPE .0625 STEEL	2
	8	7103292 FOOT KIT, RUBBER FOOT & SCREW	2
†	8.1	RUBBER FOOT, 1.50IN X 0.625IN	1
†	8.2	SCREW, 1/4-20 TORX PANHEAD	1
	9	7103277 HARDWARE KIT, ENGINE MOUNT	1
†	9.1	BOLT, 3/8-16	4
†	9.2	NUT, WHIZ, 3/8	4
	10	7103279 HARDWARE KIT, PUMP MOUNTING	1
†	10.1	BOLT, 3/8-16 X 1.25	4
†	10.2	WASHER, 3/8 SPLIT LOCK	4
	11	7104570 HARDWARE KIT, HANDLE MOUNTING	2
†	11.1	BOLT, SADDLE 5/16-18 X 2.00	1
†	11.2	KNOB, HANDLE TIGHT5/16-18	1
	12	7101683 NOZZLE SET, 5 PC. 4.0	1
	13	7105186 HANDLE GRIP, SILVER	1
	14	7104848 GUN, 5075PSI, 3/8 QC(M) X M22(F)	1
	15	7103261 LANCE, 31IN - 1/4 QC(F) X M22(M)	1
	16	7103642 HOSE, 3/8 X 50FT X 4500PSI 3/8QC	1
	17	7102207 SOAP HOSE AND FILTER KIT	1
*	18	7102045 TOOL, NOZZLE CLEANING, UNIVERSAL	1
*	19	7105325 MANUAL, OPERATOR'S PS4240	1
*	20	7103852 BOX, SHIPPING PS4240	1

* NOT SHOWN
† NOT SOLD SERPARETLY

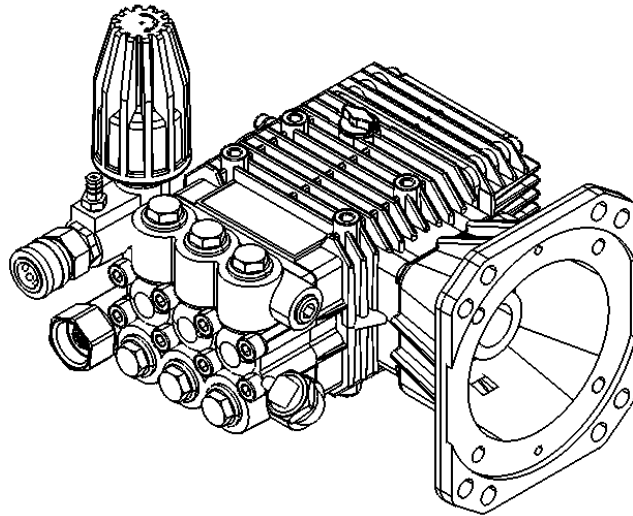
PUMP IDENTIFICATION TABLE		
MACHINE SERIAL #	PUMP PART NO.	PUMP KIT NO.
128497 THROUGH 134836	7103231	7103561
134837 THROUGH PRESENT	7104820	7105462



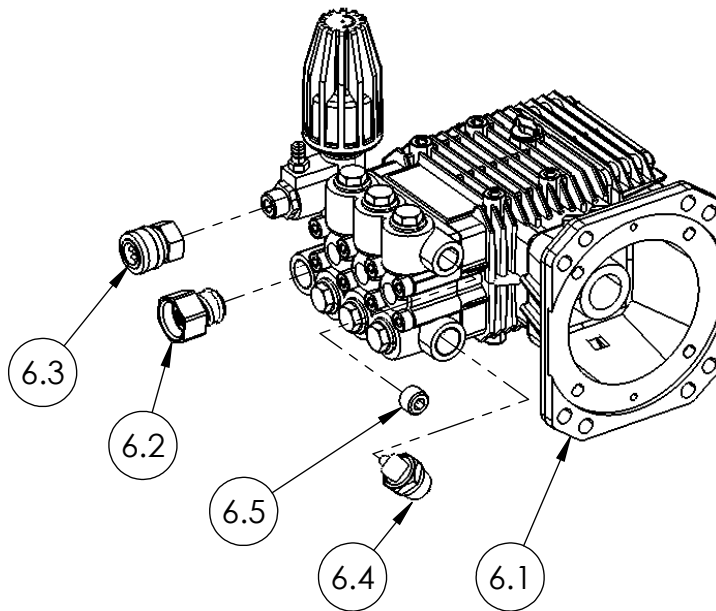
DRAWN		NAME	DATE	FNA-GROUP 1265 INDUSTRIAL STREET, DECATUR, AR 72722 TITLE: <h1 style="text-align: center;">PS4240</h1>			
CHECKED		MG	11/02/2012				
ENG APPR.		SW	11/02/2012				
MFG APPR.							
Q.A. APPR.		JP	11/01/2012				
SERVICE APPR.		DH	10/30/2012	SIZE	DWG. NO.		
PROPRIETARY AND CONFIDENTIAL THE INFORMATION CONTAINED IN THIS DRAWING IS THE SOLE PROPERTY OF FNA-GROUP. ANY REPRODUCTION IN PART OR AS A WHOLE WITHOUT THE WRITTEN PERMISSION OF FNA-GROUP IS PROHIBITED.				A	60472-S	REV.	A
				SCALE:	N/A	ECN#	DC-0134



SIZE	DWG. NO.	60472-S	REV.
A			A
SCALE:	N/A	ECN#	DC12-0134
			SHEET 2 OF 6



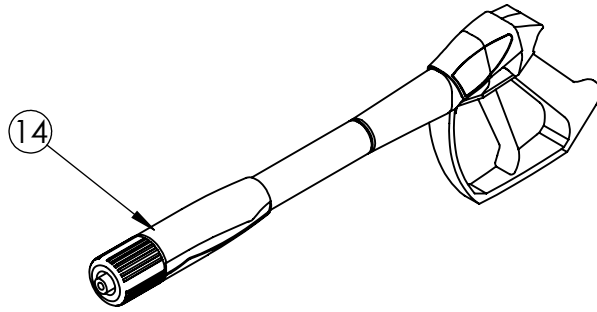
PUMP, ZWD-K4042 SERVICE KIT
PART NO. 7105462



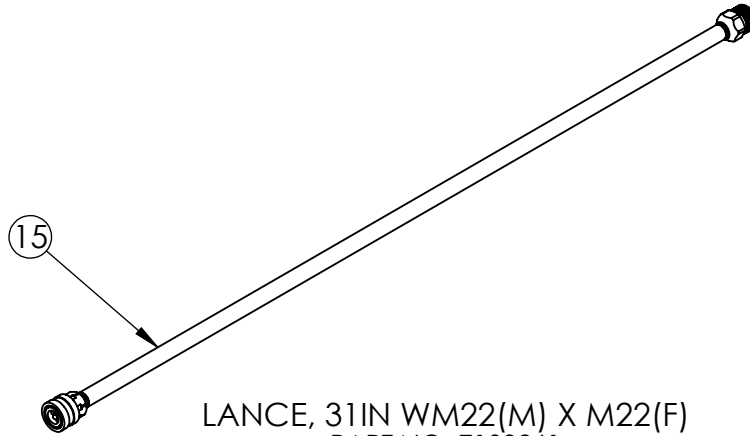
ITEM	PART NO.	DESCRIPTION	QTY.
6.1	7104820	PUMP, ZWD-K4042	1
6.2	7100051	INLET ADAPTER, GARDEN-F TO .500 NPT-M	1
6.3	7100019	COUPLER, OUTLET 3/8" QC(F) X 3/8" NPT(F)	1
6.4	7101331	THERMAL RELIEF VALVE	1
6.5	7102470	PLUG, 3/8" NPT(M)	1
* 6.6		SHAFT KEY	1
* 6.7		HOSE AND FILTER KIT	1
* 6.8		BOLT, 3/8-16	4
* 6.9		WASHER, 3/8 SPLIT-LOCK	4

* NOT SHOWN

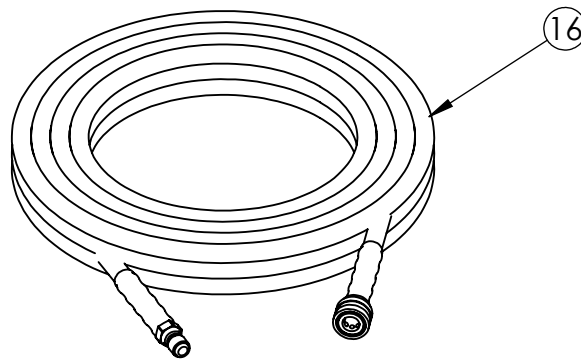
SIZE A	DWG. NO. 60472-S	REV. A
SCALE: N/A	ECN#	DC12-0134
		SHEET 3 OF 6



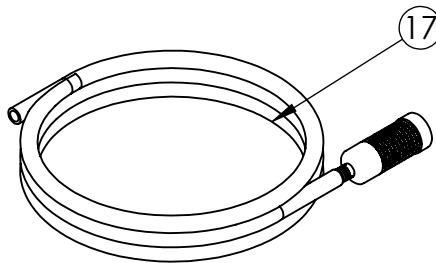
GUN 5075PSI, 3/8 QC(M) X M22(F)
PART NO. 7104848



LANCE, 31IN WM22(M) X M22(F)
PART NO. 7103261



HOSE, 3/8" X 50' X 4500PSI 3/8QC
PART NO. 7103642

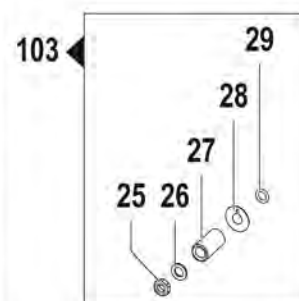
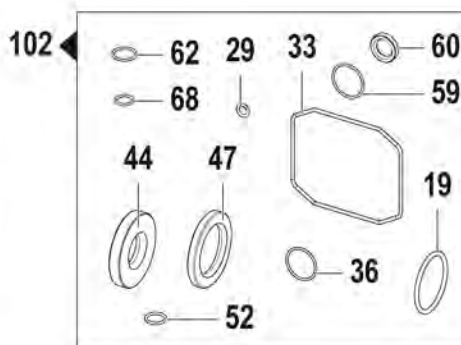
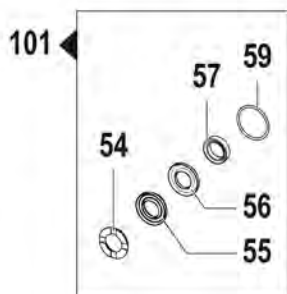
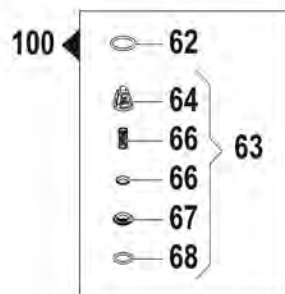
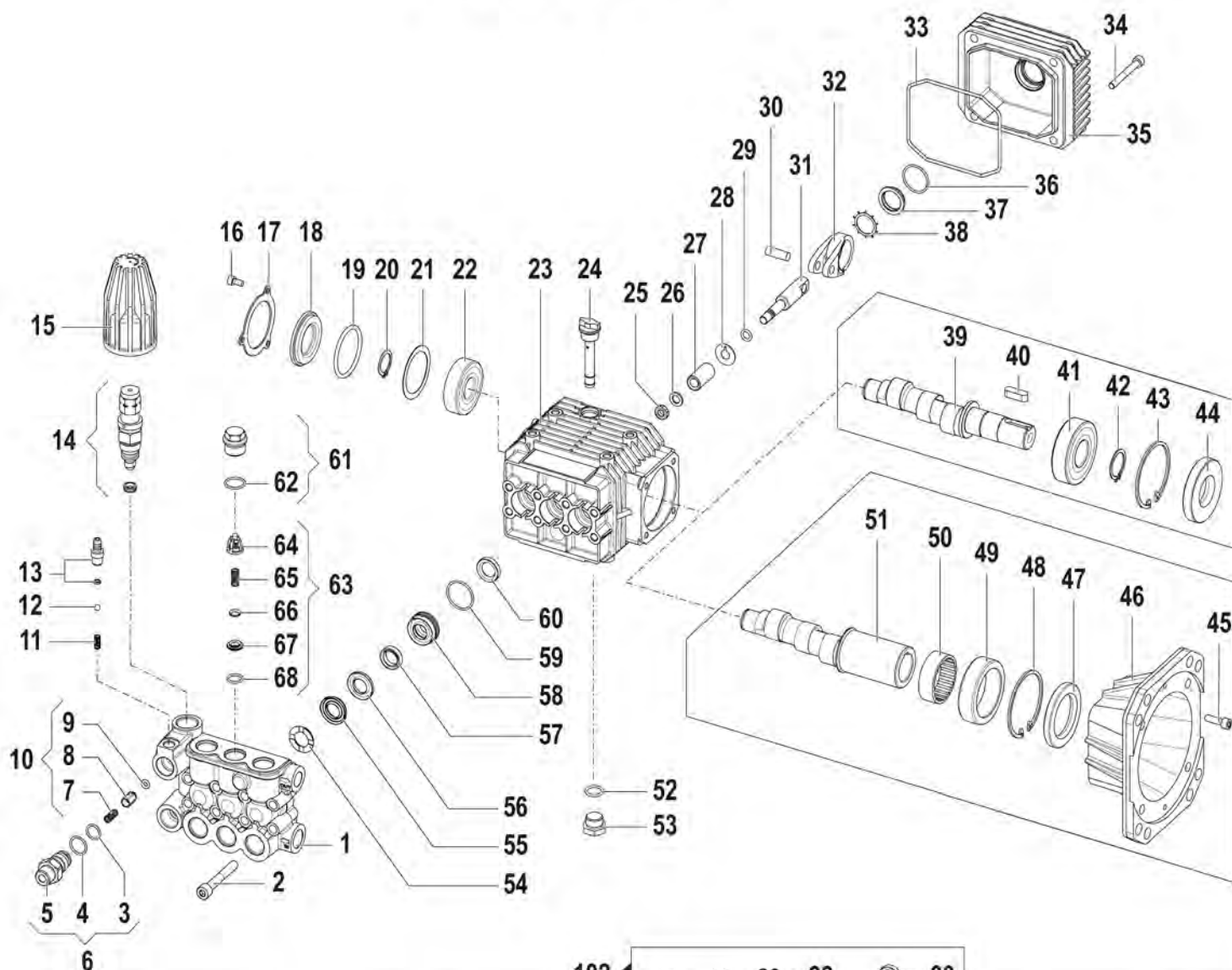


SOAP HOSE AND FILTER KIT
PART NO. 7102207

SIZE A	DWG. NO. 60472-S	REV. A
SCALE: N/A	ECN#	DC12-0134
		SHEET 4 OF 6

PUMP DIAGRAM

ZWD-K3538 & ZWD-K4042



Pumps Covered By This Document	
Part No.	Model
7104757	ZWD-K4042
7104820	ZWD-K4042
7104858	ZWD-K3538

Torque Specifications						
No.	Part No.	Description	lb.ft	lb.in	N.m	Apply To Thread
2	7105403	M8 x 55 Screw	18.4	220	25	-
16	7105412	M5 x 10 Screw	3.0	40	4	-
25	-	Piston Nut	4.4	50	6	Loctite 243
34	7105425	M6 x 50 Screw	6.6	80	9	-
45	7105436	M6 x 20 Screw	6.6	80	9	-
61	7105446	Valve Plug	33.2	400	45	Loctite 243

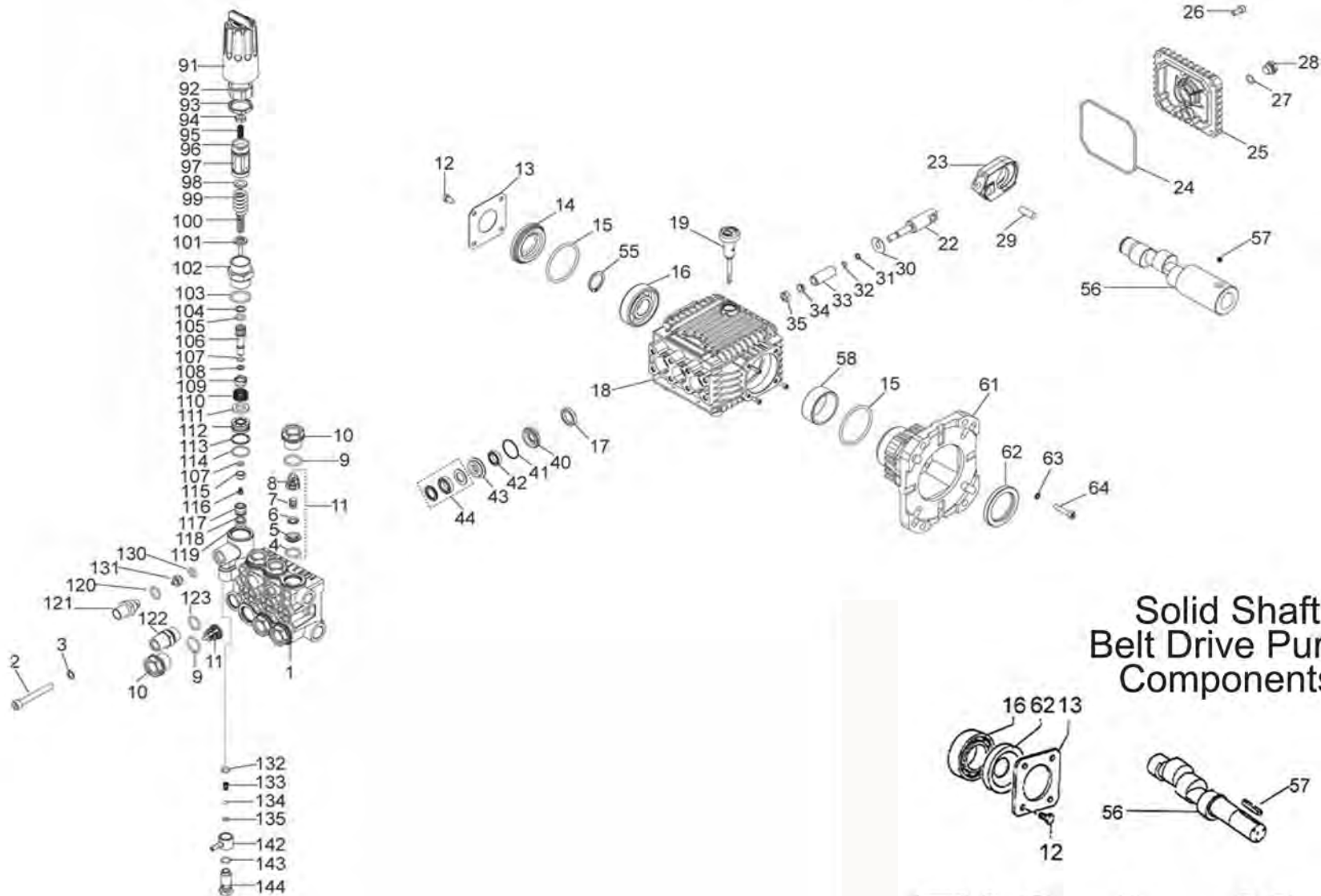
PUMP COMPONENTS

ZWD-K3538 & ZWD-K4042

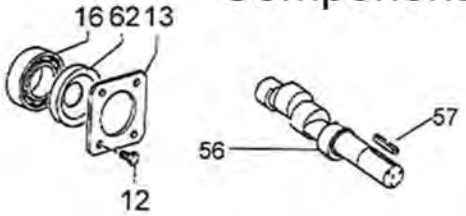
DWG NO.	PART NO.	DESCRIPTION	QTY.	MODELS
1	7105402	BRASS PUMP MANIFOLD, Ø15mm	1	ALL
2	7105403	SCREW, M8 X 55mm	8	ALL
3	-	O-RING, Ø1.75 X 12.42mm	1	ALL
4	-	O-RING, Ø1.78 X 15.6mm	1	ALL
5	-	INJECTOR BODY, Ø2mm-3/8" NPT(M)	1	ALL
6	7105404	INJECTOR BODY KIT, Ø2mm3/8" NPT(M)	1	ALL
7	-	SPRING	1	ALL
8	-	CHECK VALVE	1	ALL
9	7105405	O-RING, Ø2.4 X 4.3mm	1	ALL
10	7105406	CHECK VALVE KIT	1	ALL
11	7105407	DETERGENT SPRING	1	ALL
12	7105408	DETERGENT BALL	1	ALL
13	7105409	DETERGENT COUPLING	1	ALL
14	7105410	UNLOADER VALVE KIT, 3600PSI[250BAR]	1	ALL
15	7105411	UNLOADER ADJUSTMENT KNOB	1	ALL
16	7105412	SCREW, M5 X 10mm	3	ALL
17	7105413	CRANKCASE FLANGE	1	ALL
18	7105414	ALUMINUM END COVER	1	ALL
19	7105415	O-RING, Ø3.53 X 44.04mm	1	ALL
20	7105416	EXTERNAL SNAP RING, Ø20mm C72	1	ALL
21	7105417	SPACER, Ø41 X 51.8 X 0.5mm	1	ALL
22	7105418	BALL BEARING, Ø20 X 52 X 15mm	1	ALL
23	7105419	PUMP CRANKCASE	1	ALL
24	7105420	OIL DIPSTICK	1	ALL
25	-	SPECIAL NUT	3	ALL
26	-	WASHER, Ø8.2 X 14 X 1.5mm	3	ALL
27	-	CERAMIC BUSHING, Ø15mm	3	ALL
28	-	WASHER	3	ALL
29	-	O-RING, Ø1.78 X 6.07mm	3	ALL
30	7105421	PISTON PIN	3	ALL
31	7105422	PISTON GUIDE	3	ALL
32	7105423	CONNECTING ROD ASSEMBLY	3	ALL
33	7105424	O-RING, Ø3.0 X 94mm	1	ALL
34	7105425	SCREW, M6 X 50mm	4	ALL
35	7105426	CRANKCASE COVER	1	ALL
36	7105427	O-RING, Ø1.78 X 23.25mm	1	ALL
37	7105428	OIL LEVEL SIGHT GLASS	1	ALL
38	7105429	SIGHT GLASS RETAINING RING, Ø28mm	1	ALL
39	7105430	CRANKSHAFT, Ø24 X 9.6mm	1	7104757 ONLY
40	7105431	SHAFT KEY, 8 X 7 X 25mm	1	7104757 ONLY
41	7105432	BALL BEARING, Ø25 X 62 X 17mm	1	7104757 ONLY
42	7105433	EXTERNAL SNAP RING, Ø25mm C72	1	7104757 ONLY
43	7105434	INTERNAL SNAP RING, Ø62mm C72	1	7104757 ONLY
44	7105435	OIL SEAL, Ø25 X 62 X 10/7mm	1	7104757 ONLY
45	7105436	SCREW, M6 X 20mm	4	7104858 & 7104820
46	7105437	MOUNTING FLANGE, 1.00"	1	7104858 & 7104820
47	7105438	OIL SEAL, Ø40 X 62 X 7mm	1	7104858 & 7104820
48	7105434	INTERNAL SNAP RING, Ø62mm C72	1	7104858 & 7104820
49	7105439	BUSHING	1	7104858 & 7104820
50	7105440	ROLLER BEARING, Ø40 X 47 X 16mm	1	7104858 & 7104820
51	7105441	CRANKSHAFT, Ø1.00" X 8.3mm	1	7104858
51	7105442	CRANKSHAFT, Ø1.00" X 9.6mm	1	7104820
52	7105443	O-RING, Ø2 X 14mm	1	ALL
53	7105444	CAP, 3/8" GAS PIPE THREAD	1	ALL
54	-	PACKING HEAD RING, Ø15mm	3	ALL
55	-	PACKING, Ø15mm	3	ALL
56	-	BACK RING, Ø15mm	3	ALL
57	-	PACKING, Ø15 X 22 X 5.5mm	3	ALL
58	-	PACKING RETAINER, Ø15mm	3	ALL
59	-	O-RING, Ø1.78 X 26.7mm	3	ALL
60	7105445	OIL SEAL, Ø15 X 24 X 5mm	3	ALL
61	7105446	PLUG AND O-RING KIT	6	ALL
62	7105447	O-RING, Ø1.78 X 17.17mm	6	ALL
63	-	SUCTION/PRESSURE VALVE ASSEMBLY KIT	6	ALL
64	-	SUCTION/PRESSURE VALVE CAGE	6	ALL
65	-	VALVE SPRING	6	ALL
66	-	SUCTION/PRESSURE VALVE	6	ALL
67	-	SUCTION/PRESSURE VALVE SEAT	6	ALL
68	-	O-RING, Ø1.78 X 12.42mm	6	ALL
SPARE PARTS KITS				
100	7105448	SUCTION/PRESSURE VALVE KIT	1	ALL
101	7105449	WATER SEAL KIT	1	ALL
102	7105450	OIL SEAL KIT	1	ALL
103	7105451	PISTON KIT, Ø15mm	1	ALL

FNA PART NO. 7103231

FNA PART NO. 7103180



Solid Shaft
Belt Drive Pump
Components



TX Series 63 UI
Direct Drive Triplex Plunger Pump

PART LIST

Item	Part no.	Description	Qty	Item	Part no.	Description	Qty	Item	Part no.	Description	Qty
1	7103434	Manifold, 15 mm, LH, NPT	1	43	NA	Int. Ring, 15mm	3	111	NA	Valve	1
2	7103435	Screw, M8 x 65	8	44	NA	Packing Assy, 15mm	3	112	NA	Valve guide	1
3	7103436	Lockwasher, M8.4	8	55	7103455	Retaining Ring	1	113	NA	O-ring	1
4	NA	O-ring	6	56	7103456	Crankshaft, 8mm (1")		114	NA	Anti-Ext ring	1
5	NA	Valve Seat	6		7103486	Crankshaft, 9mm (1")		115	NA	Spherical valve	1
6	NA	Valve Plate	6		7103457	Crankshaft, 10mm (1")		116	NA	Screw	1
7	NA	Spring	6		7103678	Crankshaft, 10mm (Solid Shaft)		117	NA	Seat	1
8	NA	Valve Cage	6	57	7103458	Screw, M6 x 6	1	118	NA	O-ring	1
9	NA	O-ring	6	57	7103881	Key, Crankshaft (Solid Shaft)	1	119	NA	Anti-Ext ring	1
10	NA	Valve Cap	6	58	7103459	Roller bearing	1	120	7103464	O-ring	1
11	NA	Valve Assembly	6	61	7103460	Flange 1", gas engine	1	121	7103465	Nipple, Disch - 3/8"NPT-M	1
12	7103437	Screw, M6 x 10	8	62	7103461	Oil Seal	1	122	7103466	Inlet Fitting	1
13	7103438	Bearing Cover	1		7103679	Oil Seal (Solid Shaft)		123	7103487	O-ring	1
14	7103439	Oil Level Indicator	1	63	7103462	Washer	4	130	7103467	O-ring	1
15	7103440	O-ring	2	64	7103463	Screw, M6 x 30	4	131	7103468	Nozzle 2.2mm	1
16	7103441	Ball Bearing	1	91	NA	Handle (Black)	1	132	7103469	O-ring	1
17	NA	Oil Seal	3	92	NA	Locking sleeve	1	133	7103470	Conical spring	1
18	7103442	Crankcase	1	93	NA	Locking nut	1	134	7103471	Ball	1
19	7103443	Oil Dip Stick	1	94	NA	Nut	1	135	7103472	O-ring	1
22	7103483	Plunger Guide	3	95	NA	Set screw	1	142	7103473	Fixed Injector	1
23	7103484	Connecting Rod	3	96	NA	O-ring	1	143	NA	O-ring	1
24	7103444	O-ring, Cover	1	97	NA	Regulator knob	1	144	7103474	Banjo bolt, Injector	1
25	7103485	NEW Rear Crankcase Cover	1	98	NA	Spring seat	1				
26	7103445	Screw, M6 x 14	4	99	NA	Spring (3500 PSI)	1	K123	7103475	Valve Kit (4-8)	
27	7103446	O-ring	1	100	NA	Spring	1	K124	7103476	Valve Cap Kit (9, 10)	
28	7103447	Plug, 1/4" G	1	101	NA	Stem	1	K159	7103478	Oil Seal Kit (17)	
29	7103448	Connecting Rod Pin	3	102	NA	Guide bushing	1	K160	7103479	Short Seal Kit (42, 44)	
30	7103449	Flinger Washer	3	103	NA	O-ring	1	K166	7103480	Long Seal Kit (40-44)	
31	7103450	Anti-extrusion Ring	3	104	NA	Anti-Ext ring	1	K137	7103477	By-Pass Kit (Lower 104-119)	
32	7103451	O-ring	3	105	NA	O-ring	1	K235	7103481	By-Pass Kit (Upper 91-103)	
33	7103452	Ceramic Plunger, 15mm	3	106	NA	Sleeve	1	K237	7103482	Injector Kit (132-144)	
34	7103453	Bushing	3	107	NA	O-ring	2				
35	7103454	Nut, M8	3	108	NA	Anti-Ext ring	1				
40	NA	Seal Retr'r, 15mm	3	109	NA	Spacer	1				
41	NA	O-ring	3	110	NA	Spring	1				
42	NA	Seal, LP, 15mm	3								

NOTE: All "NA" Parts are only available in Kits

