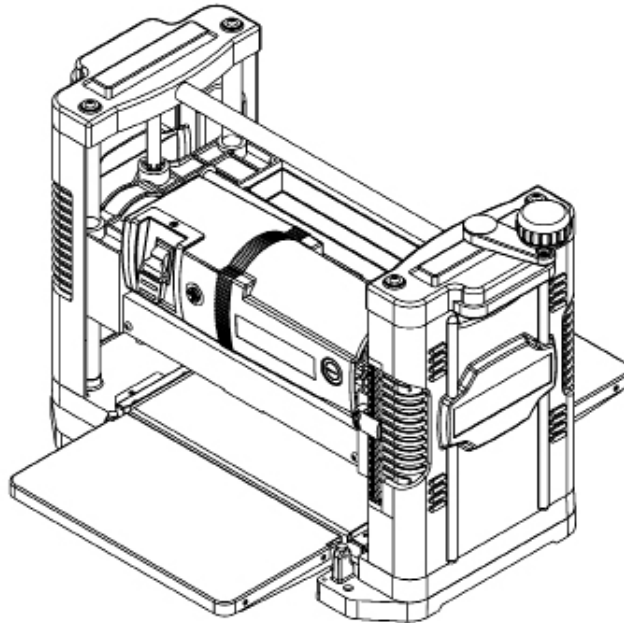




12-1/2 IN. THICKNESS PLANER



Model # 6550
bit.ly/wenvideo

IMPORTANT:

Your new tool has been engineered and manufactured to WEN's highest standards for dependability, ease of operation, and operator safety. When properly cared for, this product will supply you years of rugged, trouble-free performance. Pay close attention to the rules for safe operation, warnings, and cautions. If you use your tool properly and for intended purpose, you will enjoy years of safe, reliable service.



NEED HELP? CONTACT US!

Have product questions? Need technical support?
Please feel free to contact us at:



800-232-1195 (M-F 8AM-5PM CST)



techsupport@wenproducts.com



WENPRODUCTS.COM

TABLE OF CONTENTS

Technical Data	2
General Safety Rules	3
Specific Safety Rules For Planer	4
Electrical Information	5
Know Your Planer	7
Assembly and Adjustments	7
Operation	9
Maintenance	12
Exploded View and Parts List	16
Warranty	18

TECHNICAL DATA

Model Number:	6550
Motor:	120 V, 60 Hz, 15A
Cutterhead Speed:	8500 RPM
Cuts Per Minute:	17,000 cuts per minute
Feed rate:	26 FPM
Maximum Depth of Cut:	3/32"
Table Size:	12-1/2 x 9-3/8"
Extension Table Size:	12-1/2 x 6-3/4"
Base Size:	21 x 12-1/2"
Workpiece Width (max.):	12-1/2"
Workpiece Thickness (max.):	6"
Weight:	73 lbs

GENERAL SAFETY RULES

Safety is a combination of common sense, staying alert and knowing how your item works. **SAVE THESE SAFETY INSTRUCTIONS.**



WARNING: To avoid mistakes and serious injury, do not plug in your tool until the following steps have been read and understood.

1. **READ** and become familiar with this entire instruction manual. **LEARN** the tool's applications, limitations, and possible hazards.
2. **AVOID DANGEROUS CONDITIONS.** Do not use power tools in wet or damp areas or expose them to rain. Keep work areas well lit.
3. **DO NOT** use power tools in the presence of flammable liquids or gases.
4. **ALWAYS** keep your work area clean, uncluttered, and well lit. **DO NOT** work on floor surfaces that are slippery with sawdust or wax.
5. **KEEP BYSTANDERS AT A SAFE DISTANCE** from the work area, especially when the tool is operating. **NEVER** allow children or pets near the tool.
6. **DO NOT FORCE THE TOOL** to do a job for which it was not designed.
7. **DRESS FOR SAFETY.** Do not wear loose clothing, gloves, neckties, or jewelry (rings, watches, etc.) when operating the tool. Inappropriate clothing and items can get caught in moving parts and draw you in. **ALWAYS** wear non-slip footwear and tie back long hair.
8. **WEAR A FACE MASK OR DUST MASK** to fight the dust produced by sawing operations.



WARNING: Dust generated from certain materials can be hazardous to your health. Always operate the tool in a well-ventilated area and provide for proper dust removal. Use dust collection systems whenever possible.

9. **ALWAYS** remove the power cord plug from the electrical outlet when making adjustments, changing parts, cleaning, or working on the tool.
10. **KEEP GUARDS IN PLACE AND IN WORKING ORDER.**
11. **AVOID ACCIDENTAL START-UPS.** Make sure the power switch is in the OFF position before plugging in the power cord.
12. **REMOVE ADJUSTMENT TOOLS.** Always make sure all adjustment tools are removed from the saw before turning it on.
13. **NEVER LEAVE A RUNNING TOOL UNATTENDED.** Turn the power switch to OFF. Do not leave the tool until it has come to a complete stop.

GENERAL SAFETY RULES

14. **NEVER STAND ON A TOOL.** Serious injury could result if the tool tips or is accidentally hit. **DO NOT** store anything above or near the tool.

15. **DO NOT OVERREACH.** Keep proper footing and balance at all times. Wear oil-resistant rubber-soled footwear. Keep the floor clear of oil, scrap, and other debris.

16. **MAINTAIN TOOLS PROPERLY.** **ALWAYS** keep tools clean and in good working order. Follow instructions for lubricating and changing accessories.

17. **CHECK FOR DAMAGED PARTS.** Check for alignment of moving parts, jamming, breakage, improper mounting, or any other conditions that may affect the tool's operation. Any part that is damaged should be properly repaired or replaced before use.

18. **MAKE THE WORKSHOP CHILDPROOF.** Use padlocks and master switches and **ALWAYS** remove starter keys.

19. **DO NOT** operate the tool if you are under the influence of drugs, alcohol, or medication that may affect your ability to properly use the tool.

20. **USE SAFETY GOGGLES AT ALL TIMES** that comply with ANSI Z87.1. Normal safety glasses only have impact resistant lenses and are not designed for safety. Wear a face or dust mask when working in a dusty environment. Use ear protection such as plugs or muffs during extended periods of operation.

SPECIFIC RULES FOR THE PLANER



WARNING: For your own safety, read all of the instructions and precautions before operating tool.

WARNING: Operation of any power tool can result in foreign objects being thrown into eyes which can result in severe eye damage. Always wear safety goggles complying with United States ANSI Z87.1 (shown on package) before commencing power tool operation.

CAUTION: Always observe the following safety precautions:

1. Whenever adjusting or replacing any parts on planer, turn switch **OFF** and remove plug from power source.
- 2 Make sure all guards are properly attached and securely fastened.
3. Make sure all moving parts are free from interference.
4. Always wear eye protection or face shield.
5. Make sure blades are aligned and properly attached to cutterhead.
6. Do not plug in planer unless the switch is in the off position. After turning the switch on, allow the planer to come to full speed before operating.

SPECIFIC RULES FOR THE PLANER

6. Keep hands clear of all moving parts.
7. Do not force cut. Slowing or stalling will overheat motor. Allow automatic feed to function properly.
8. Use quality lumber. Blades last longer and cuts are smoother with good quality wood.
9. Do not plane material shorter than 15", narrower than 3/4", wider than 12-1/2" or thinner than 1/2".
10. Never make planing cut deeper than 3/32".
11. For workpieces longer than 24", use material support stands.
12. Do not back the work towards the infeed side.
13. Take precautions against kickback. Do not permit anyone to stand or cross in line of cutterhead's rotation. Kickback or thrown debris will travel in this direction.
14. Turn switch off and disconnect power whenever planer is not in use.
15. Replace knives as they become damaged or dull.
16. Keep planer maintained. Follow maintenance instructions.

ELECTRICAL INFORMATION

GROUNDING INSTRUCTIONS

IN THE EVENT OF A MALFUNCTION OR BREAKDOWN, grounding provides the path of least resistance for an electric current and reduces the risk of electric shock. This tool is equipped with an electric cord that has an equipment grounding conductor and a grounding plug. The plug **MUST** be plugged into a matching outlet that is properly installed and grounded in accordance with **ALL** local codes and ordinances.

DO NOT MODIFY THE PLUG PROVIDED. If it will not fit the outlet, have the proper outlet installed by a licensed electrician.

IMPROPER CONNECTION of the equipment grounding conductor can result in electric shock. The conductor with the green insulation (with or without yellow stripes) is the equipment grounding conductor. If repair or replacement of the electric cord or plug is necessary, **DO NOT** connect the equipment grounding conductor to a live terminal.

CHECK with a licensed electrician or service personnel if you do not completely understand the grounding instructions or whether the tool is properly grounded.

CAUTION: In all cases, make certain the outlet in question is properly grounded. If you are not sure, have a licensed electrician check the outlet.

ELECTRICAL INFORMATION



WARNING: This tool is for indoor use only. Do not expose to rain or use in damp locations.
Guidelines for using extension cords

Make sure your extension cord is in good condition. When using an extension cord, be sure to use one heavy enough to carry the current your product will draw. An undersized cord will cause a drop in line voltage resulting in loss of power and overheating. The table below shows the correct size to be used according to cord length and nameplate ampere rating. When in doubt, use a heavier cord. The smaller the gauge number, the heavier the cord.

Make sure your extension cord is properly wired and in good condition. Always replace a damaged extension cord or have it repaired by a qualified person before using it.

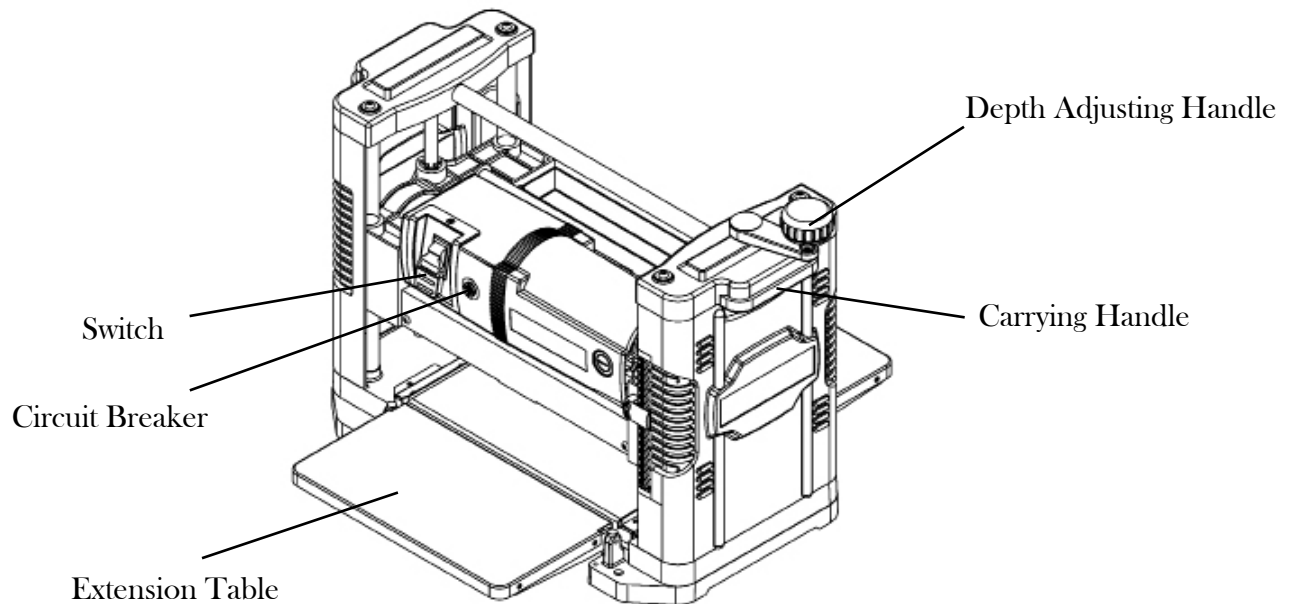
Protect your extension cords from sharp objects, excessive heat and damp/wet areas.

Use a separate electrical circuit for your tools. This circuit must not be less than a #12 wire and should be protected with a 15 A time-delayed fuse. Before connecting the motor to the power line, make sure the switch is in the OFF position and the electric current is rated the same as the current stamped on the motor nameplate. Running at a lower voltage will damage the motor.

WARNING: This tool must be grounded while in use to protect the operator from electric shock.

AMPERAGE	REQUIRED GAUGE FOR EXTENSION CORDS			
	25 ft.	50 ft.	100 ft.	150 ft.
15 A	14 gauge	12 gauge	10 gauge	8 gauge

KNOW YOUR PLANER



ASSEMBLY AND ADJUSTMENTS

UNPACKING (FIGURE 1)

IMPORTANT: Remove protective paper from the table before operating the unit.

The planer comes assembled as one unit. Additional parts which need to be fastened to planer should be located and accounted for before assembling.

- A Dust Chute
- B Thumb Screw (2) (pre-installed on planer)
- C T-handle Hex Wrench (on planer)
- D Plug
- E Magnet (2, on planer)
- F Depth adjusting handle
- G Bolt with Lock Washer

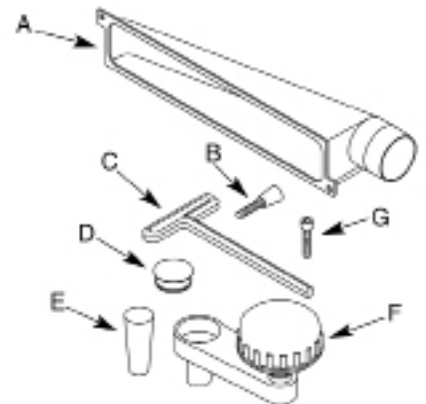


Figure 1



WARNING: Do not attempt assembly if parts are missing. Use this manual to order replacement parts.

ASSEMBLY AND ADJUSTMENTS

INSTALL DEPTH ADJUSTING HANDLE (FIGURE 2 & 3)

The handle and knob should be installed to top-right of the planer. Insert the handle with the knob onto the elevation screw's top. Secure handle with bolt using T-handle wrench provided. Insert plug into handle to cover bolt.

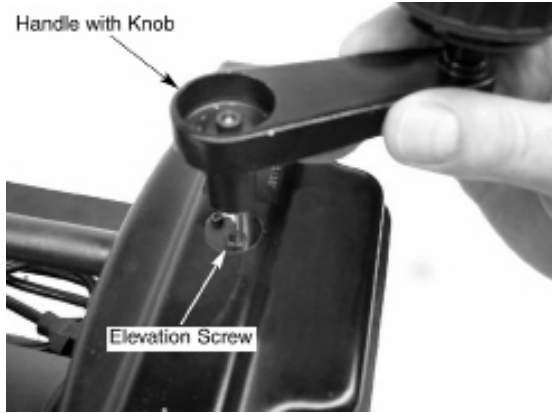


Figure 2

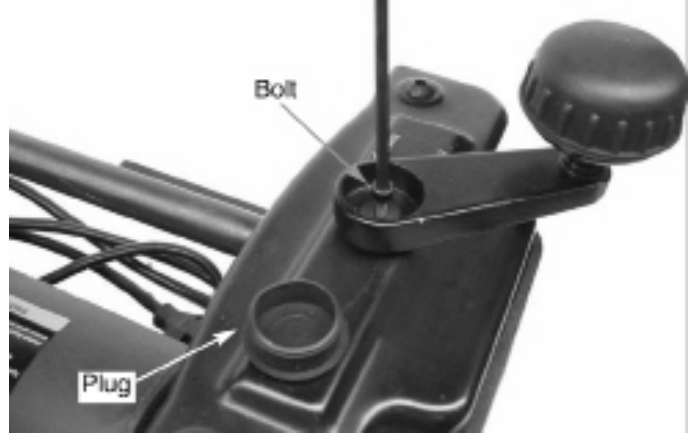


Figure 3

ATTACH DUST CHUTE (FIGURE 4)

The dust chute is mounted to the roller case using two thumb screws. The dust chute can be mounted to direct chips to either side of planer.

NOTE: the necessary screws are already mounted on the back of the planer (circled in Figure 4). Remove these screws and use them to mount the dust chute in place.

After mounting, connect wet/dry vacuum hose to dust chute. Be sure to turn the vacuum on before operating the planer.



Figure 4

MOUNT PLANER TO WORK SURFACE (Figure 5)

The planer is designed to be portable so it can be moved to a job site. However, it should always be mounted to a stable, level bench or table in a place with ample lighting and correct power supply. Make sure there is plenty of room for moving the work-piece through the entire cut. Neither the operators or the bystanders should have to stand in line with the wood while using the tool.

The base of the planer has four mounting holes. Mount the planer to the workbench or to the tool stand using bolts, flat washers and hex nuts (not supplied). Figure 5 shows the base dimensions, mounting holes and required space to allow for table assembly. Securely mount the planer to the work table by bolting it through the holes. Make sure the planer does not rock and that the work table is level.

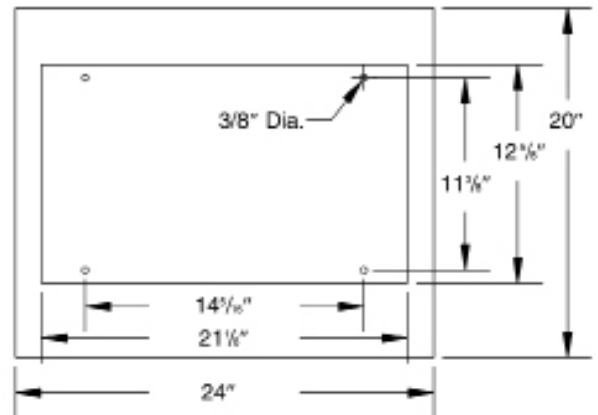


Figure 5

OPERATION



WARNING: Do not connect planer to the power source until all assembly steps have been completed.

The WEN® 12-1/2" Planer planes soft and hardwoods up to 6" thick and 12-1/2" wide. Wood feeds into the two-blade cutterhead by rubber infeed/outfeed rollers. Planer can take cuts up to 3/32" per pass at 26 feet per minute.

ON/OFF SWITCH (FIGURE 6)

The ON/OFF switch is located on the front of the planer motor. To turn the planer ON, move the switch to the up position. To turn the planer OFF, move the switch to the down position.

SWITCH LOCK (FIGURE 7)

Remove the red tab to engage child-safety lock and prevent unwanted start-ups. To lock the switch:

Turn the switch to OFF position and disconnect planer from power source. Pull the key out. The switch cannot be turned on with the key removed. To replace key, slide key into the slot on switch until it snaps.

NOTE: The key can be removed from the switch while in the ON position. This allows for the device to be turned off but still prevents it from being turned back on.

CIRCUIT BREAKER (FIGURE 6)

The planer is equipped with a motor protection device-circuit breaker. The breaker will automatically shut the planer off when excessive current is consumed. If the breaker is tripped, turn the planer off and reset the circuit by pressing the button.

CAUTION: Be sure to turn the planer off prior to resetting the circuit breaker to avoid unintentional start-up of the planer.

AVOID DAMAGE TO BLADES

Thickness planers are a precision woodworking machine and should be used on quality lumber only. Do not plane dirty boards; dirt and small stones are abrasive and will wear out blade.

REMOVE NAILS AND STAPLES. Use planer to cut wood only.

Avoid knots. Heavily cross-grained wood makes knots hard. Knots can come loose and jam blade.



WARNING: Any article that encounters planer blades may be forcibly ejected from planer creating risk of injury. Make sure the wood is free from outside materials before attempting to plane.

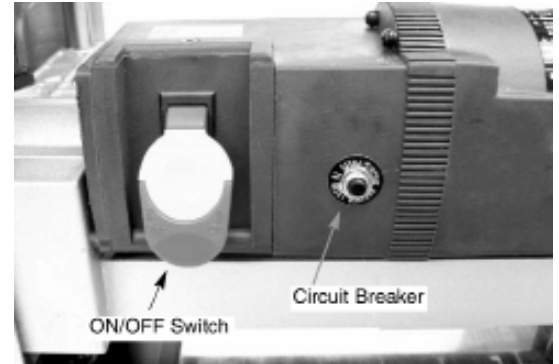


Figure 6

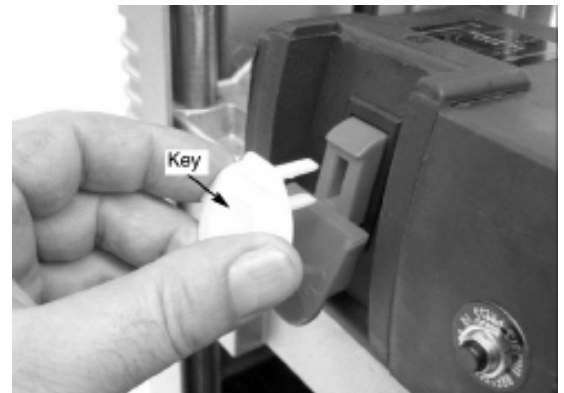


Figure 7

OPERATION

DEPTH OF CUT (FIGURE 8)

Depth-of-cut is adjusted by raising or lowering the rollercase using handle. Each full rotation of the handle moves the rollercase $1/16"$. Quality of thickness planing depends on the operator's judgement about the depth of cut. Depth of cut depends on the width, hardness, dampness, grain direction and grain structure of the wood. Maximum thickness of wood which can be removed in one pass is $3/32"$ for planing operations on workpieces up to $5"$ wide. Workpiece must be positioned away from the center tab on the rollercase to cut $3/32"$. Maximum thickness of wood which can be removed in one pass is $3/32"$ for planing operations on workpiece from $5"$ up to $12\frac{1}{2}"$ wide.

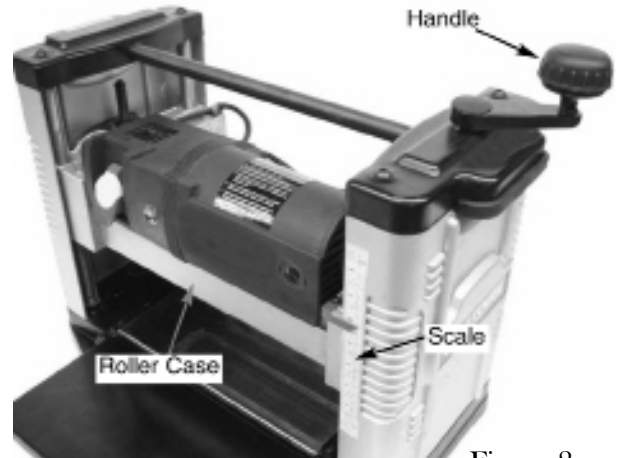


Figure 8

CAUTION: A $3/32"$ depth-of-cut on hard, softwood $6-12"$ wide can be made. However, continuous operation at this set-up can cause premature motor failure.

- For optimum planing performance, the depth of cut should be less than $1/16"$. Run the board a few times before adding depth to ensure the best possible cuts.
- Boards should be planed with shallow cuts until the work has a level side (or alternatively the use of a power jointer can be employed). Once a level surface has been created, flip the lumber and create parallel sides.
- Plane alternate sides until the desired thickness is obtained. When half of the total depth of cut is taken from each side, the board will have a uniform moisture content. Any additional drying should not cause it to warp.
- Depth of cut should be shallower when work is wider.
- When planing hardwood, take light cuts or plane the wood in thin widths.
- Make a test cut with a test piece and verify the thickness produced.
- Check accuracy of test cut prior to working on finished product.

PREPARE WORK

Thickness planers work best when at least one side of the lumber is flat. Use a surface planer or a jointer to create a flat surface. Twisted or severely warped boards can jam the planer and should not be used. Rip lumber in half to reduce magnitude of warp.

Work should be fed into the planer in same direction as the grain of the wood. Sometimes grain will change directions in middle of board. In such cases, if possible, cut board in middle before planing so grain direction is correct. **NEVER PLANE AGAINST THE GRAIN DIRECTION OF THE WOOD. DO NOT PLANE END GRAIN, AS THE WOOD COULD SPLINTER OR POSSIBLY EXPLODE.**

CAUTION: Do not plane board which is less than $14\frac{1}{2}"$ long; force of cut could split board and cause kick-back.

OPERATION

FEEDING WORK

The planer is supplied with planing blades mounted in the cutterhead and infeed and outfeed rollers adjusted to the correct height. Planer feed is automatic; it will vary slightly depending on type of wood.

- Feed rate refers to the rate at which the lumber travels through the planer.
- Align the work perpendicular to the rollercase so that the work feeds through the planer straight.
- Raise/lower rollercase to produce the depth of cut desired.
- Stand on the side of the planer with the handle.
- Boards longer than 24" should have additional support from free standing material stands.
- Position the workpiece with the face to be planed on top.
- Turn the planer on.
- Rest the board end on the table and direct the board into the planer.
- Gently slide workpieces into the infeed side of the planer until the infeed roller advances the workpiece.
- Let go of the workpiece and allow automatic feed to advance the workpiece.
- Do not push/pull on workpiece. Move to the rear and receive planed lumber by grasping it in same manner as it was fed.

CAUTION: To avoid risk of injury due to kickbacks, do not stand directly in line with the front or rear of planer.

- Do not grasp any portion of board which has not gone past the out-feed roller.
- Repeat this operation on all boards which need to be same thickness.
- Planer has return roller on top so assistant can pass work back to operator.

NOTE: Assistant must follow same precautions as operator.

- Surface that the planer will produce will be smoother if shallower depth of cut is used.

AVOIDING SNIPE

- Snipe refers to a depression at either end of board caused by an uneven force on cutterhead when work is entering or leaving planer.
- Snipe will occur when boards are not supported properly or when only one feed roller is in contact with work at beginning or end of cut.
- To avoid snipe, gently push the board up while feeding the work until the outfeed roller starts advancing it.
- Move to the rear and receive planed board by gently pushing it up when the infeed roller loses contact with the board.
- When planing more than one board of the same thickness, butt boards together to avoid snipe.
- Snipe is more apparent when deeper cuts are taken. Lower depth helps to avoid snipe.
- Feed the work in the direction of the grain. Work fed against the grain will have chipped, splintered edges.

MAINTENANCE

CHECK FOR WORN BLADES

Condition of blades will affect the precision of cuts. Observe the quality of the cut that the planer produces to check the condition of the blades. Dull blades will tear, rather than sever wood fibers and produce fuzzy appearances. Raised grain will occur when dull blades pound on wood that has varying density. Raised edges will also be produced where the blades have been nicked. Blades on this planer are reversible and should always be reversed or replaced as a matched set. Keeping a spare set of blades on hand is recommended.

CHANGING BLADES (FIGURES 9, 10, 11)

WARNING: Always turn the planer OFF and disconnect it from the power source before starting any maintenance work.

Loosen and remove thumb screws from blade guard on the rear side of planer. Remove blade guard. Carefully turn cutterhead by hand towards you until it is stopped by the self-engaging latch.

Loosen and remove six bolts from gib. Remove gib using magnets provided.

NOTE: Magnets can be easily disengaged from gib by tilting them to left or right.

CAUTION: Blade edges are extremely sharp. Keep fingers away from blades at all times.

The blade is held in position by two pins. Gently lift the old blades from the cutterhead using magnets. Do not make contact with the blade using fingers. Use magnet only.

Reverse or replace blade and carefully position it on the two pins using magnets. Replace gib and align the holes on the gib with holes on the blade using magnets.

Secure gib to cutterhead using six bolts removed earlier. Depress latch to release cutterhead. Release latch when cutterhead can be turned by hand. Turn cutterhead by hand until it is stopped by selfengaging latch.

Remove gib and blade as mentioned earlier. Replace with new blade. Replace gib and secure it as mentioned earlier. Replace blade guard and secure it using two bolts.

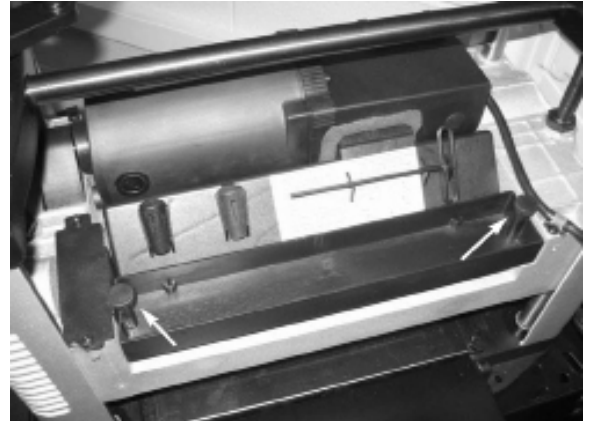


Figure 9

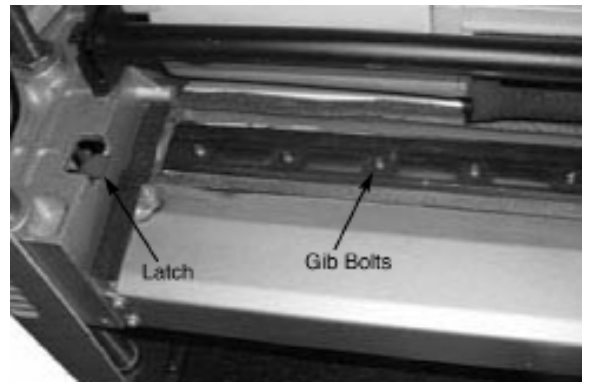


Figure 10

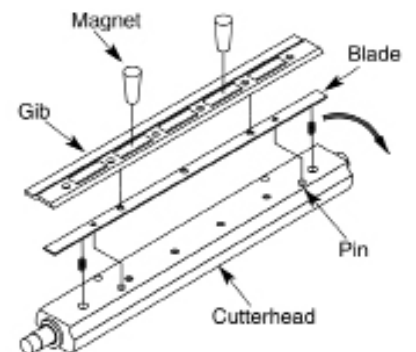


Figure 11

MAINTENANCE

BRUSH INSPECTION AND REPLACEMENT



WARNING: Turn planer off and disconnect from power source before inspecting or replacing brushes.

Brush life depends on amount of load on motor. Regularly inspect brushes after 100 hours of use. Brushes are located on either side of planer motor, on both the front and rear side of the planer.

- Loosen brush cap and carefully remove brush from motor.
- Replace brushes if spring is damaged.
- Replace brushes if carbon is worn.
- Tighten brush caps after replacement.

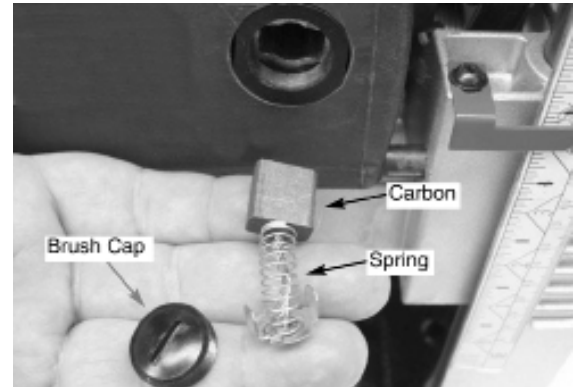


Figure 12

ADJUSTING TABLE LEVEL

Refer to Exploded Views, Figures 13 and 14, pages 15 and 17.

The planer will produce uneven depth of cut (tapered cut) if the rollercase (26 - Figure 14) is not parallel with the base (20 - Figure 13). To restore parallelism of the rollercase with the base:

- Using a test piece, measure the height of the taper.
- Turn planer off and disconnect from power source.
- Fold the front and rear extension tables.
- Lay planer carefully on its side so that bottom side of the base is exposed.
- Clamp vise plier (not supplied) on the left side of shaft (31 - Figure 13) next to the gear (35 - Figure 13).
- Remove retaining ring (34 - Figure 13) and disengage right gear from the elevation screw gear.
- Slowly rotate handle (5 - Figure 13) to raise or lower rollercase. Rollercase will move by 0.006" with every turn of the gear by one tooth. Move rollercase to the required distance to offset the taper.
- Re-engage the right and elevation screw gear and replace retaining ring to secure.
- Release and remove vise plier.
- Set the planer back on its base.
- Make a test cut to verify adjustment.

REPLACING V-BELT

Refer to Exploded Views, Figures 13 and 14, pages 15 and 17.

Inadequate tension in the V-belt (46 - Figure 14) will cause the belt to slip from the motor pulley (49 - Figure 14) or drive pulley (47 - Figure 14). Loose belts must be replaced. To replace V-belt:

- Turn planer off and unplug from power source.
- Loosen and remove screws (1 - Figure 13) on right cap (6 - Figure 13). Remove panel (37 - Figure 13).
- Loosen and remove screws (29 - Figure 14) on belt guard (30 - Figure 14). Remove belt guard.
- Loosen bolt (38 - Figure 14) to loosen motor assembly.
- Remove old belt by walking the belt from motor and drive pulleys alternatively. Push motor down and pull the belt outward while turning the pulleys at the same time.
- Replace with new belt. Walk the belt on to the pulleys in the reverse manner as when removing the belt.
- Make sure the belt is evenly seated all the way on the motor and drive pulley grooves.
- Pry motor upward to apply tension to belt. Secure in position by tightening bolt (38 - Figure 14).
- Replace belt guard and screws (29, 30 - Figure 14).
- Replace and secure right panel.

MAINTENANCE

LUBRICATION

Motor and cutterhead bearings are sealed and need no lubrication. Gears and elevation screws should be cleaned of debris and greased as needed.

CLEAN PLANER

Keep planer clean of any wood chips, dust, dirt or debris. After 10 hours of operation, the chains and gears should have wood chips, dust and old grease removed. Use common automotive bearing grease to lubricate all chains and gears. Be sure all chains and gears have plenty of grease. Clean the granite table using a soft, damp cloth. Do not use any waxes, oils or solvents on the table.

TROUBLESHOOTING

IF THE MATERIAL DOES NOT FEED PROPERLY, CHECK FOR:

- dull blades: rotate or replace as necessary (refer to Changing Blades section).
- excess clogging in the dust hood (refer to Attach Dust Chute in the Assembly and Adjustments section).
- a broken V-Belt (refer to Replacing V-Belt in the Maintenance section).

IF THE CIRCUIT BREAKER TRIPS REPEATEDLY:

• Dull blades could be present. Dull blades can cause motor overloading. Rotate or replace as necessary (refer to Changing Blades section).

NOTE: Circuit breaker overload is often the result of dull knives. If the circuit breaker on your planer trips, check the sharpness of your knives before attempting to reset the breaker in order to continue planing.

• Reduce the depth of cut. An overly aggressive cut could cause motor overloading (refer to Depth of Cut in the Operation section)

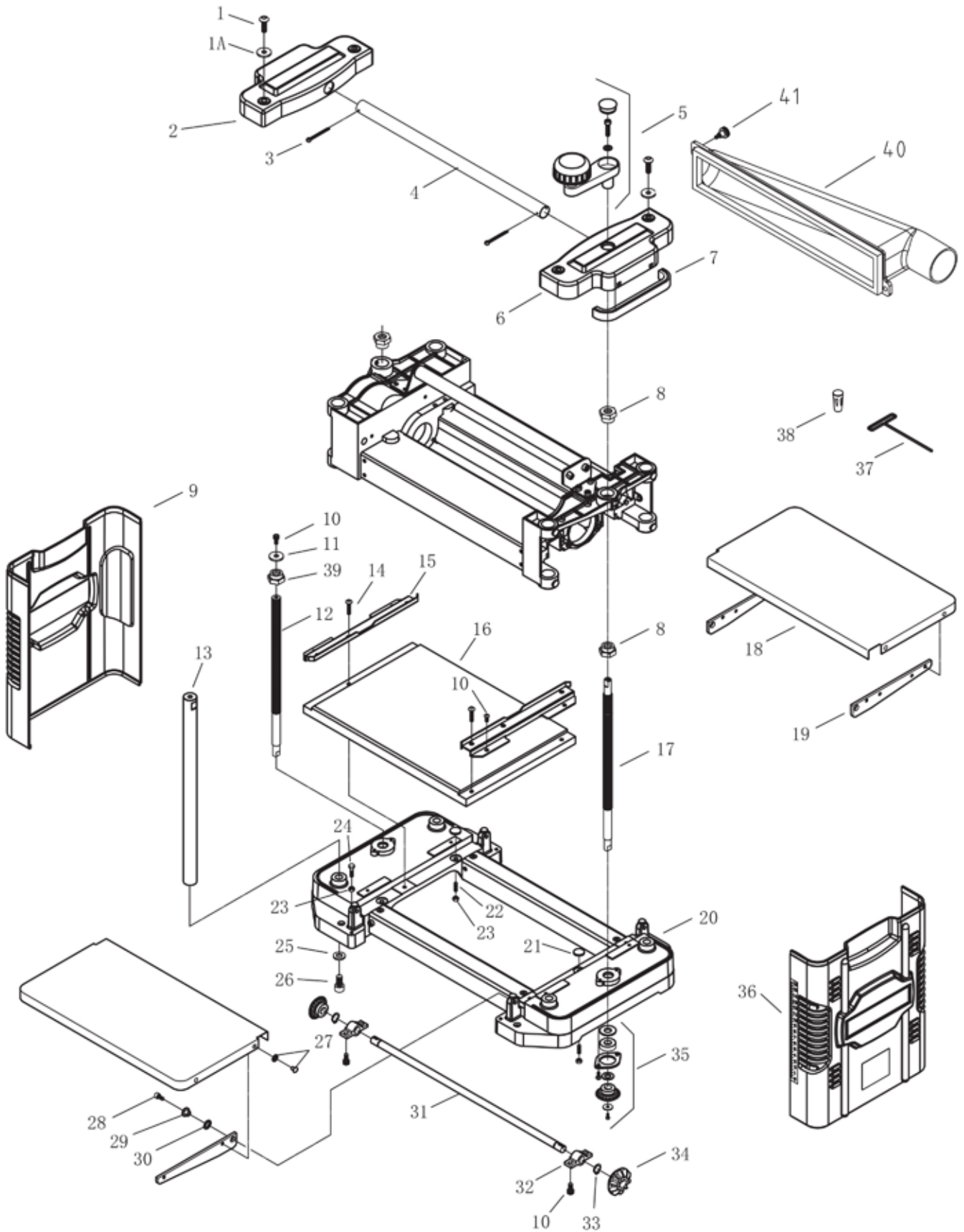
IF THE UNIT DOES NOT RUN, CHECK TO SEE:

- if the unit is plugged in. Ensure unit is plugged into the appropriate outlet (refer to Electrical Information).
- if the circuit breaker needs to be reset.
- if the motor brushes are depleted. Replace as necessary (refer to Brush Inspection and Replacement under the Maintenance section).

EXPLODED VIEW AND PARTS LIST

No.	Part Number	Description	Qty.
1	6550-101	Screw	4
1A	6550-101A	Flat washer 6	4
2	6550-102	Left Cap	1
3	6550-103	Cotter Pin	2
4	6550-104	Roller	1
5	6550-105	Handle Assembly	1
6	6550-106	Right Cap	1
7	6550-107	Grip	2
8	6550-108	Elevating Nut (RH)	2
9	6550-109	Left Side Cover	1
10	6550-110	Bolt	9
11	6550-111	Spacer	1
12	6550-112	Elevating Screw (LH)	1
13	6550-113	Column	4
14	6550-114	Screw	3
15	6550-115	Guide	2
16	6550-116	Table	1
17	6550-117	Elevating Screw (RH)	1
18	6550-118	Extension Table Assembly	2
19	6550-119	Table Support	4
20	6550-120	Base	1
21	6550-121	Plate	3
22	6550-122	Set Screw	3
23	6550-123	Nut	4
24	6550-124	Adjustment Screw	4
25	6550-125	Lock Washer 10	4
26	6550-126	Bolt	4
27	6550-127	Screw with washer	8
28	6550-128	Screw	4
29	6550-129	Bushing	4
30	6550-130	Wavy Washer	4
31	6550-131	Shaft	1
32	6550-132	Support	2
33	6550-133	Retaining Ring	2
34	6550-134	Bevel Gear	4
35	6550-135	Elevation Screw Bearing Assembly	2
36	6550-136	Right Side Cover	1
37	6550-137	Wrench	1
38	6550-138	Magnet	2
39	6550-139	Elevating Nut (LH)	2
40	6550-201	Dust Exhaust Port	1
41	6550-202	Thumb Screw	2

EXPLODED VIEW AND PARTS LIST



LIMITED TWO YEAR WARRANTY

WEN Products is committed to building tools that are dependable for years. Our warranties are consistent with this commitment and our dedication to quality.

LIMITED WARRANTY OF WEN CONSUMER POWER TOOLS PRODUCTS FOR HOME USE

GREAT LAKES TECHNOLOGIES, LLC (“Seller”) warrants to the original purchaser only, that all WEN consumer power tools will be free from defects in material or workmanship for a period of two (2) years from date of purchase. Ninety days for all WEN products, if the tool is used for professional use.

SELLER’S SOLE OBLIGATION AND YOUR EXCLUSIVE REMEDY under this Limited Warranty and, to the extent permitted by law, any warranty or condition implied by law, shall be the repair or replacement of parts, without charge, which are defective in material or workmanship and which have not been misused, carelessly handled, or misrepaired by persons other than Seller or Authorized Service Center. To make a claim under this Limited Warranty, you must return the complete power tool product; transportation prepaid, to Great Lakes Technologies, LLC - 1675 Holmes Road - Elgin, IL. 60123 with a copy of the original receipt which is legible and clearly defines Date of Purchase including month and year and Place of Purchase.

THIS LIMITED WARRANTY DOES NOT APPLY TO ACCESSORY ITEMS SUCH AS CIRCULAR SAW BLADES, DRILL BITS, ROUTER BITS, JIGSAW BLADES, SANDING BELTS, GRINDING WHEELS AND OTHER RELATED ITEMS.

ANY IMPLIED WARRANTIES SHALL BE LIMITED IN DURATION TO TWO (2) YEARS FROM DATE OF PURCHASE. SOME STATES IN THE U.S., SOME CANADIAN PROVINCES DO NOT ALLOW LIMITATIONS ON HOW LONG AN IMPLIED WARRANTY LASTS, SO THE ABOVE LIMITATION MAY NOT APPLY TO YOU.

IN NO EVENT SHALL SELLER BE LIABLE FOR ANY INCIDENTAL OR CONSEQUENTIAL DAMAGES (INCLUDING BUT NOT LIMITED TO LIABILITY FOR LOSS OF PROFITS) ARISING FROM THE SALE OR USE OF THIS PRODUCT. SOME STATES IN THE U.S. AND SOME CANADIAN PROVINCES DO NOT ALLOW THE EXCLUSION OR LIMITATION OF INCIDENTAL OR CONSEQUENTIAL DAMAGES, SO THE ABOVE LIMITATION OR EXCLUSION MAY NOT APPLY TO YOU.

THIS LIMITED WARRANTY GIVES YOU SPECIFIC LEGAL RIGHTS, AND YOU MAY ALSO HAVE OTHER RIGHTS WHICH VARY FROM STATE TO STATE IN THE U.S., PROVINCE TO PROVINCE IN CANADA AND FROM COUNTRY TO COUNTRY.

THIS LIMITED WARRANTY APPLIES ONLY TO PORTABLE ELECTRIC TOOLS, BENCH POWER TOOLS, OUTDOOR POWER EQUIPMENT AND PNEUMATIC TOOLS SOLD WITHIN THE UNITED STATES OF AMERICA, CANADA AND THE COMMONWEALTH OF PUERTO RICO. FOR WARRANTY COVERAGE WITHIN OTHER COUNTRIES, CONTACT THE WEN CUSTOMER SUPPORT LINE.