



Super Pump® 700

»»» Medium-Head Pump Series

THE MOST DURABLE VERSION OF THE
INDUSTRY'S FAVORITE POOL PUMP



EXPERT LINE

✓ PREMIUM PRODUCTS

✓ NOT SOLD ONLINE

✓ EXTENDED WARRANTIES

LONG-LASTING PERFORMANCE FOR POOLS OF ALL SIZES.

Hayward® Super Pump® already sets the industry standard for excellence and value, and with the new Super Pump 700, we're adding unparalleled durability to the list. Thanks to a chemical-resistant Viton® seal backed by a 2-year warranty, Super Pump 700 resists corrosion to keep its heavy-duty, high-performance motor in top condition season and after season. Its airflow ventilation provides cooler, more efficient operation, and its exclusive service-ease design offers quick 4-bolt access to all internal components. It's everything you love about Super Pump, now with an added degree of durability.

KEY FEATURES

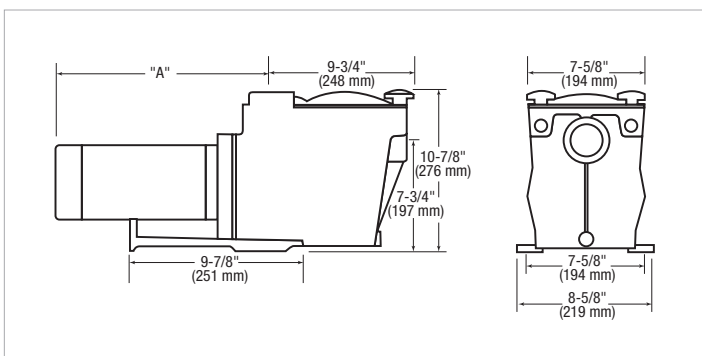
- » **Chemical-resistant Viton seal** offers powerful corrosion protection
- » **Wing nut drain plug** is easy to open and close for winterizing
- » **Exclusive swing-away hand knobs** make for easy strainer cover removal without tools
- » **See-through strainer cover** lets you see when the basket needs cleaning
- » **Extra-large debris basket** provides added leaf-holding capacity for less frequent maintenance



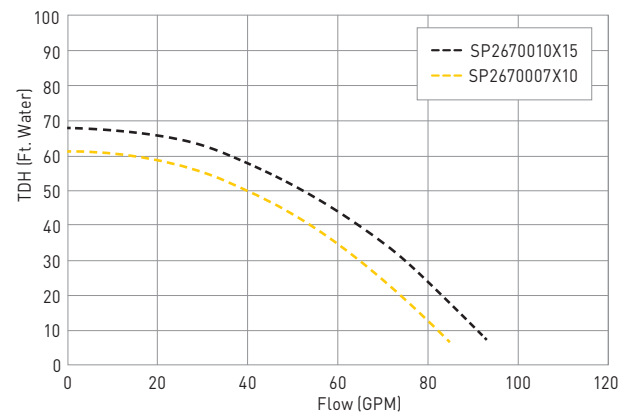
SPECIFICATIONS

MODEL NUMBER	HORSEPOWER		SERVICE FACTOR	PORT SIZE	DIMENSION "A"	WARRANTY
	TOTAL HP	RATED HP				
Standard Efficient Max-Rated Single Speed						
SP2670007X10	1.10	1	1.10	1½ in	14¼ in	2 years
SP2670010X15	1.50	1½	1.00	1½ in	15¾ in	2 years

SUPER PUMP 700 DIMENSIONS (INCHES)



SUPER PUMP 700 FLOW VS. TOTAL HEAD



» hayward.com » 1-888-HAYWARD

Super Pump 700 pumps are listed by:



Pumps » Filters » Heaters » Cleaners » Sanitization » Automation » Lighting » Water Features » White Goods

Hayward, Hayward & Design, the H logo and Super Pump are registered trademarks of Hayward Industries, Inc. All other trademarks not owned by Hayward are the property of their respective owners. Hayward is not in any way affiliated with or endorsed by those third parties. © 2017 Hayward Industries, Inc.

LITSP70017

